

UNIT FEATURES

- Platinum Level Header
- Ultra-Smooth Rollers
- Semi-Frameless Enclosure
- 3/16" Slider & Panel Glass
- 4 Stock & 55 Custom Finishes
- True Bypass Doors
- Double Towel Bar
- Doors Overlap Between 1" to 3"

ALUMINUM EXTRUSIONS

HMI Shower Enclosures are fabricated with extruded 5000 and 6000 series billet. All exposed surfaces are polished before anodizing in the HMI line. Powder Coated and Satin units may be extruded with the same alloy and temper used for anodized metal.

CODE COMPLIANCE

- ANSI Z.97.1 (Tempered Glass)
- CPSC 16CFR1201 II (Glazing Materials)
- ASTM C1048-85 (Anodized Finishes)
- USFS DD-G-1403B (Tempered Glass)

AVAILABLE SIZES

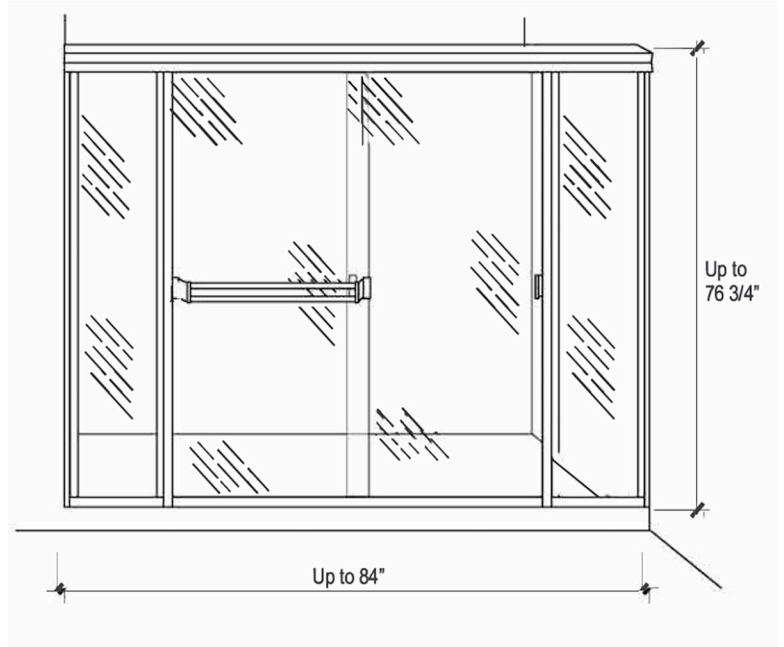
- Widths up to 84"
- Heights up to 76 3/4"
- Stock and custom sizes available

FINISHES AVAILABLE

- Brushed Nickel
 - Chrome
 - Oil Rubbed Bronze
 - Roman Bronze
- Over 50 custom powder coat finishes available

GLASS PATTERNS AVAILABLE

- 3/16" Clear
 - 3/16" Rain
- Over 20 other finishes/colors/sizes available



DRAWING NOT TO SCALE

