

DETAILS:

Product ID: HGSE

Description: Heavy Euro Series Shower Enclosure

HMI

4795 Shepherdsville Road

Louisville, KY 40218

Tel: 502-969-4059

Fax: 800-313-4195

hmiglass.com

FEATURES:

- Heavy Duty Euro header
- Semi-Frameless enclosure
- 3/8" tempered slider glass
- True bypass doors
- Through-the-glass towel bar and knob with optional recessed finger pulls
- Doors overlap between 1" to 3"
- Optional 90-degree return

SPECIFICATIONS:

Aluminum Extrusions

- HMI's tub and shower enclosures are fabricated with extruded 6000 series billet.

CODE COMPLIANCE:

- ANSI Z.97.1 (Tempered glass)
- ASTM C1048-85 (Tempered glass)
- USFS DD-G-1403B (Tempered glass)
- SGCC Certified

GLASS:

- 3/8" Clear Tempered
- **C.10** Protective Glass Coating Included
- Compatible with HMI Canvas - Digital In-Glass Printing
- Compatible with HMI - Vista
- Additional patterns available

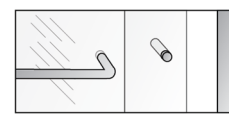
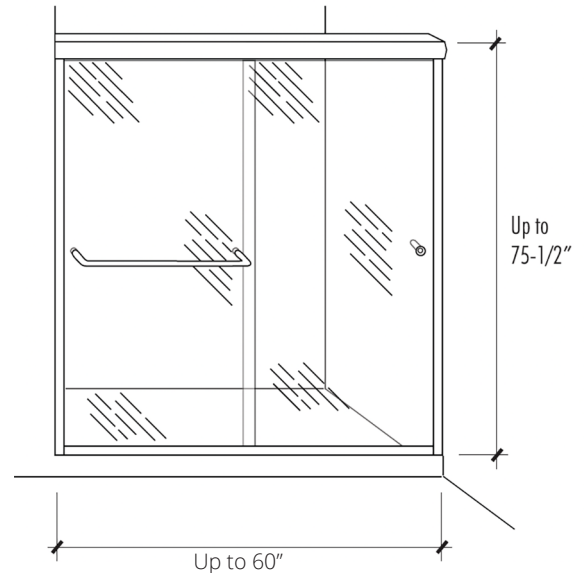
AVAILABLE FINISHES*:

- CH - Chrome
- DA - Dark Anodized Oil Rubbed Bronze
- MB - Matte Black
- NI - Brushed Nickel

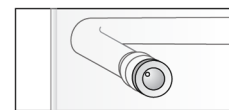
TYPES:

(Based on unit height)

- HGTE - Heavy Euro Tub Enclosure
- HGSE - Heavy Euro Shower Enclosure



Through-the-Glass Towel Bar & Knob

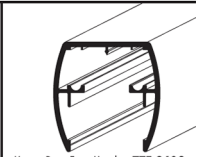
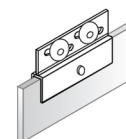


Optional Recessed Finger Pull



Optional Snap-In Retainer

SAFETY FEATURE
Rollers on 3/8" sliders are pinned through-the-glass



Heavy Duty Euro Header: ZTE 2602

DRAWINGS NOT TO SCALE