

DETAILS:

Product ID: Capital Series

Description: Bypass Shower Enclosure

HMI

4795 Shepherdsville Road

Louisville, KY 40218

Tel: 502-969-4059

Fax: 800-313-4195

hmiglass.com

FEATURES:

- Double Bypass Header
- Frameless Enclosure
- 3/8" Slider Glass
- Three Stock Finishes
- True Bypass Doors
- Through-the-glass, double towel bars
- Doors overlap between 1" to 3"
- Ready to ship, fully boxed unit

SPECIFICATIONS:

Aluminum Extrusions

- HMI's tub and shower enclosures are fabricated with extruded 6000 series billet.

CODE COMPLIANCE:

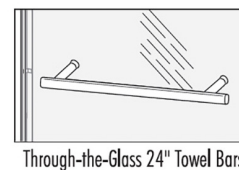
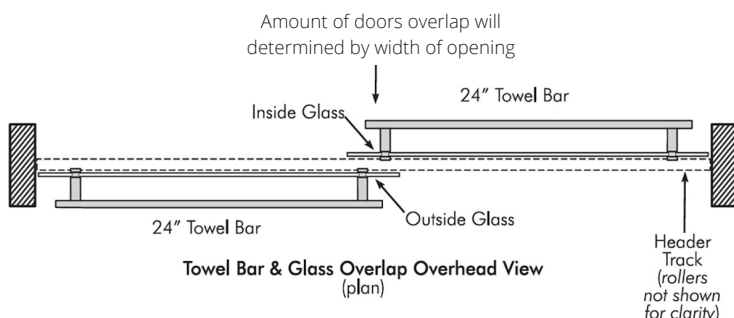
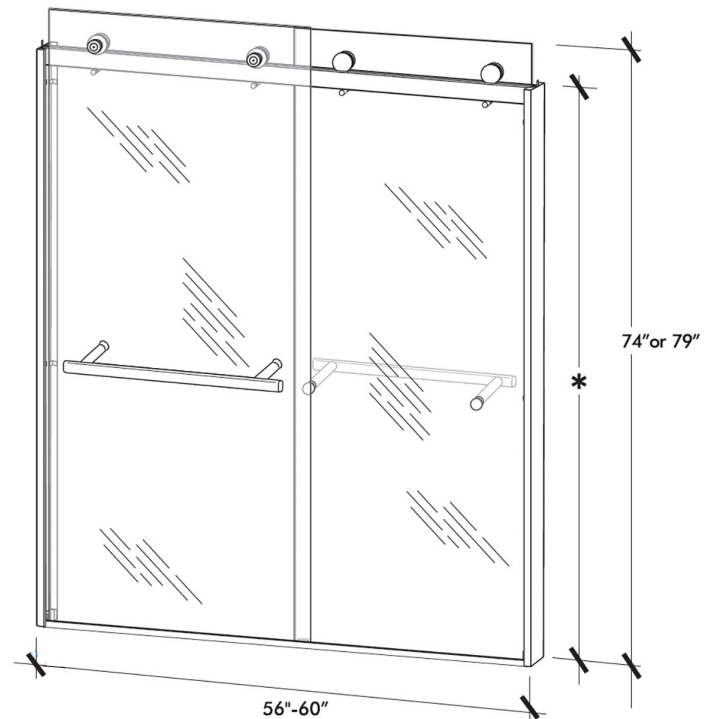
- ANSI Z.97.1 (Tempered Glass)
- ASTM C1048-85 (Tempered Glass)
- USFS DD-G-1403B (Tempered Glass)
- SGCC Certified

AVAILABLE FINISHES*:

- CH - Chrome
- NI - Brushed Nickel
- MB - Matte Black

GLASS:

- 3/8" Clear
- **C.10** Protective Glass Coating Included
- Compatible with HMI Canvas - Digital In-Glass Printing
- Compatible with HMI - Vista



DRAWINGS NOT TO SCALE