

### DETAILS:

Product ID: PIR037 (CHG-HGTW)

Description: Beveled Wall Mount Hinge

HMI

4795 Shepherdsville Road

Louisville, KY 40218

Tel: 502-969-4059

Fax: 800-313-4195

hmiglass.com

### SPECIFICATIONS:

Glass Thickness: 3/8" (10mm) to 1/2" (12mm)

Material: Solid forged brass

Swing: 90° in and 90° out

Closing Type: Self centering and closing from 15°

Includes: Stainless steel installation hardware, gaskets and Allen wrench

### MAXIMUM CAPACITIES:

3/8" (10mm) GLASS	Hinges	Max. Door Weight	Max. Door Width
	2	80 lbs. / 36 kg.	28" / 711mm
	3	120 lbs. / 55 kg.	32" / 813mm

1/2" (12mm) GLASS	Hinges	Max. Door Weight	Max. Door Width
	2	80 lbs. / 36 kg.	28" / 711mm
	3	120 lbs. / 55 kg.	32" / 813mm

*Do not exceed either max door weight or max door width.*

### Glass Weights:

3/8" (10mm) glass is 5.05 lbs./sf or 2.30 kg/sf

1/2" (12mm) glass is 6.40 lbs./sf or 2.91 kg/sf

### GASKETS:

3/8" Glass: Use one **thick** gasket on each side

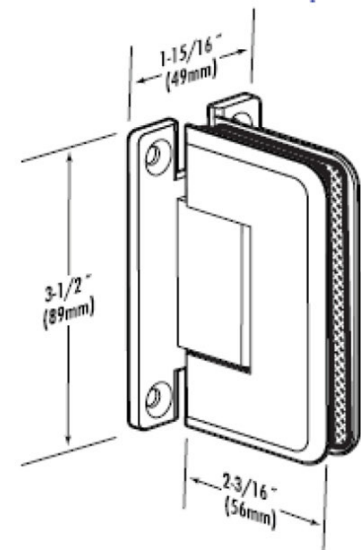
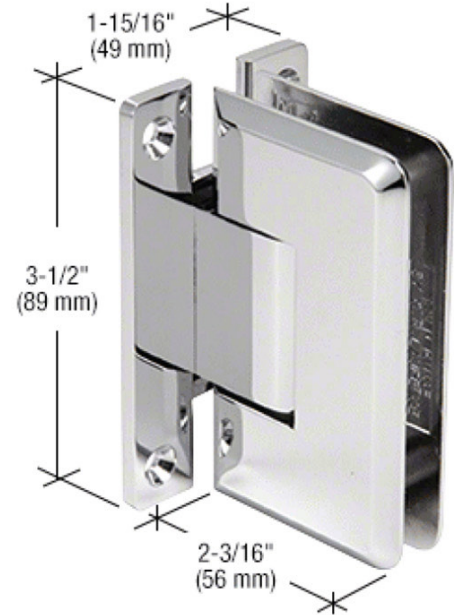
1/2" Glass: Use on **thin** gasket on each side

### AVAILABLE FINISHES\*:

- CH - Chrome
- DA - Dark Anodized Oil Rubbed Bronze
- GO - Gold (brass)
- MB - Matte Black
- CB - Champagne Bronze
- NI - Brushed Nickel
- PH - Polished Nickel
- RO - Roman Bronze

### NOTES:

- Do not use power tools when installing hinge on glass.
- For use only with tempered 3/8" to 1/2" glass
- Do not use spray lubricant on hinges.
- Never use abrasive cleaners on the finish as they may damage the finish.



DRAWINGS NOT TO SCALE