

DETAILS:

Product ID: HMISU4 (CHG-CGTWS)

Description: Square Heavy Glass Clamp

HMI

4795 Shepherdsville Road

Louisville, KY 40218

Tel: 502-969-4059

Fax: 800-313-4195

hmiglass.com

SPECIFICATIONS:

- Glass Thickness: 3/8" (10mm) to 1/2" (13mm)
 - Material: Solid forged brass
 - Holes: 5/8" (16mm) or 3/4" (19mm)
- Includes: Mounting screws and gaskets

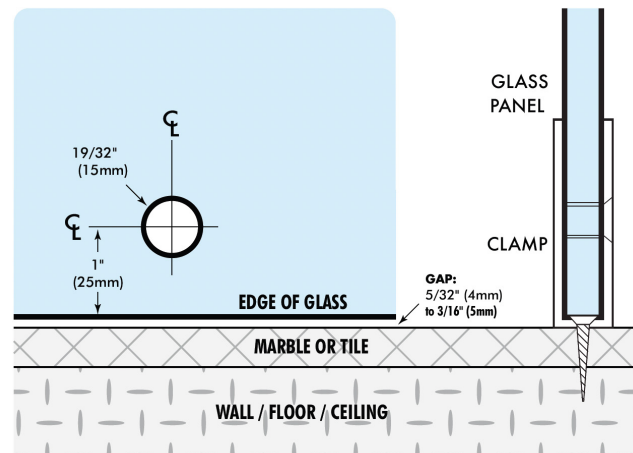
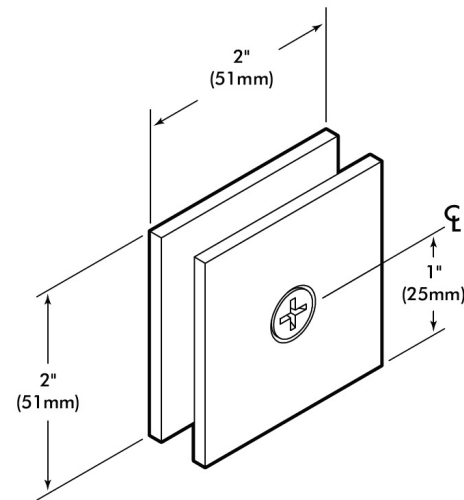


AVAILABLE FINISHES*:

- CH - Chrome
- DA - Dark Anodized Oil Rubbed Bronze
- GO - Gold (brass)
- MB - Matte Black
- NI - Brushed Nickel
- PN - Polished Nickel
- RO - Roman Bronze

NOTES:

- Project measurements from the edge of the glass
- For use only with tempered 3/8" to 1/2" glass
- Never use abrasive cleaners on hardware as they may damage the finish



DRAWINGS NOT TO SCALE