

### DETAILS:

Product ID: HMIBU4 (CHG-CGTW)

Description: Beveled Wall Mount Clamp

HMI

4795 Shepherdsville Road

Louisville, KY 40218

Tel: 502-969-4059

Fax: 800-313-4195

hmiglass.com

### SPECIFICATIONS:

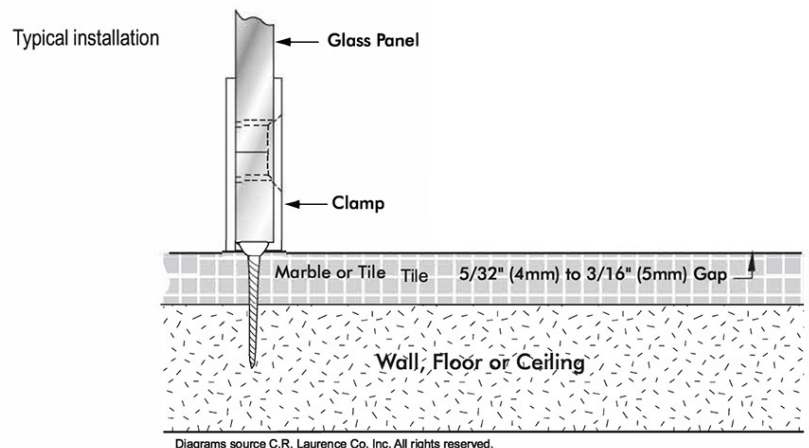
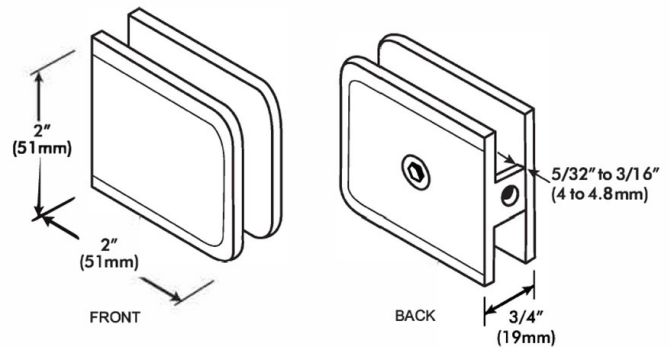
- Glass Thickness: 3/8" (10mm) to 1/2" (12mm)
- Material: Solid Forged Brass
- Holes: 5/8" (16mm) or 3/4" (19mm)
- Includes: Mounting screws and gaskets

### AVAILABLE FINISHES\*:

- CB - Champagne Bronze
- CH - Chrome
- DA - Dark Anodized Oil Rubbed Bronze
- GO - Gold (Brass)
- MB - Matte Black
- NI - Brushed Nickel
- PN - Polish Nickel
- RO - Roman Bronze
- SA - Satin Chrome

### NOTES:

- Project measurements from the edge of the glass.
- For use only with tempered 3/8" to 1/2" glass.
- Never use abrasive cleaners on hardware as they may damage the finish.



DRAWINGS NOT TO SCALE