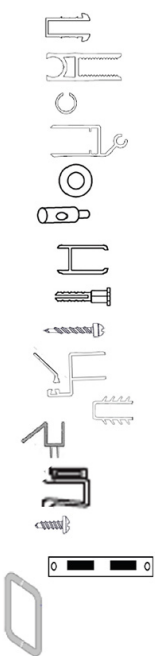


**PARTS LIST**

ITEM	PART	DESCRIPTION	QTY
1	ZV-925-1/4	Glazing Vinyl	1
2	ZD-2503-B	Hinge Rail with Vinyl	1
3	ZV-949	Hinge Jamb Sleeve Vinyl	1
4	ZD-9505	Hinge Jamb	1
5	Washer	Pin Washer	2
6	ZD-912	Hinge Clips	2
7	ZD-1006	Wall Channels	2
8	ZV-935	Wall Anchors	1
9	#8X1-1/4"	8 x 1-1/4" Screws	6
10	ZD-1004	Latch Jamb with V-908 Vinyl	1
11	ZV-914	3" Handle Vinyl	1
12	CHG-P982-14	bottom sweep	1
13	MAG-4012-3	3" u channel handle	1
14	#6X3/8	#6 x 3/8" Screws	6
15	Mag Channel		1
16	6" BTB C-pull		1



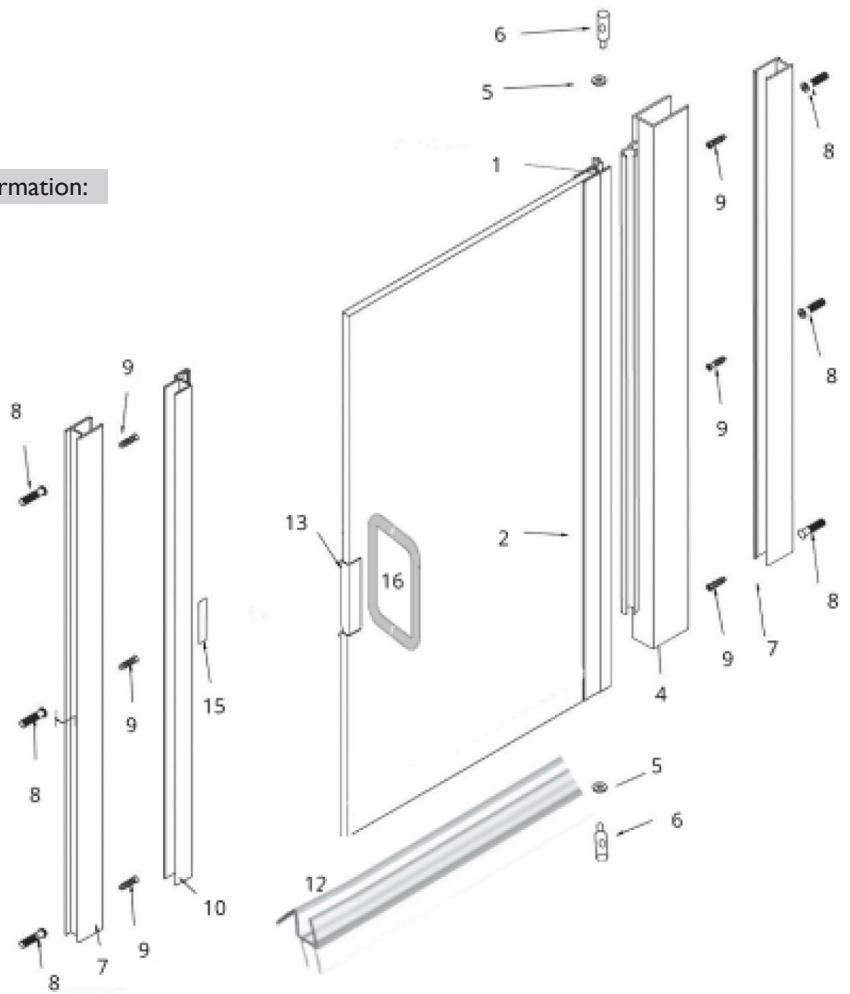
When ordering repair parts, please provide the following information:

1. Model Number
2. Part Number
3. Part Description
4. Finish Color

**Required Tools:**

To install your shower enclosure, you will need the following:

- Level
- #31 Drill Bit
- 3/16" Carbide Drill Bit (for tile walls)
- Phillips Screwdriver
- Silicone
- Hack Saw
- 1/4" Box End Wrench



**INSTRUCTIONS:**

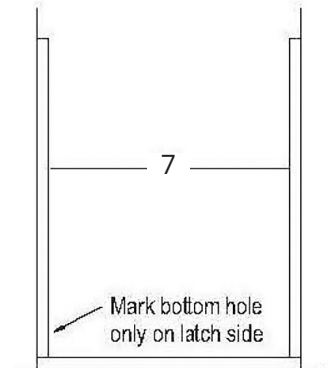
**GENERAL: Wall channels (7) are supplied 67 3/4" long. For door only installation (with no header or cub), cut with a hacksaw to 66 5/8" so they will not extend above the hinge and latch jambs.**

1. Hold wall channels (7) in a plumb position and mark hole locations on the hinge side and bottom hole only on the latch side (See Figure 1). Drill holes in wall (using 3/16" carbide drill for tile walls). Insert wall anchors (8) into drilled holes.
2. Set wall channels in place and secure with #8 x 1 1/4" screws (17) using bottom screw only on latch side (See figure 2).

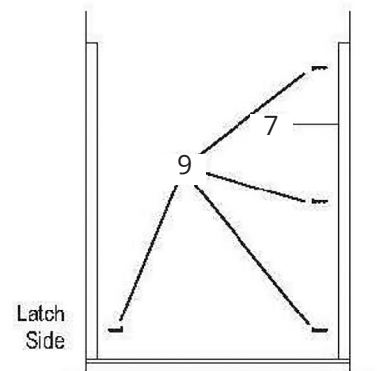
**Note: Door is adjustable up to 1" (1/2" at hinge jamb and 1/2" at latch jamb).**

Example: A CD-24 door will fit an opening 24" to 25". The 1/2" adjustment should also be used to correct out-of-plumb conditions. For openings up to 24 1/2", set hinge jamb all the way over the wall channel and adjust latch jamb to meet door. Door openings over 24 1/2" adjust hinge jamb out on wall channel to compensate for additional opening width.

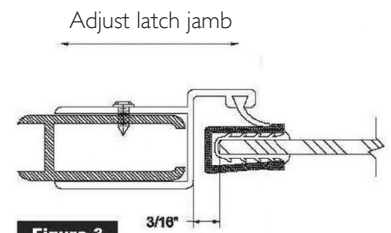
3. Set latch jamb (10) in place over all channel, but **DO NOT SECURE!**
4. Set hinge jamb with door attached (4 & 2) in place over wall channel. Adjust laterally, plumb to fit opening. Mark three holes on wall channel through the pre-drilled holes on hinge jamb. Drill three holes with a #31 drill bit and secure with #6 x 3/8" SMS screws (14).
5. Apply 3" vinyl channel (11) to edge of glass, centered on handle side. Tap handle (13) in place over vinyl channel.
6. Align latch jamb (10) with edge of door glass and mark wall channel (7) location on wall. Remove latch jamb and mark holes on wall. Lean wall channel to one side to allow enough room for drill and drill the remaining two holes on wall. Insert wall anchors (8).
7. Replace wall channel and secure remaining two holes in wall channel using two #8 x 1 1/4" Screws (9).
8. Replace latch jamb over wall channel. Close door and adjust latch jamb 3/16" from edge of glass (See figure 3). Through the holes provided in the latch jamb, drill three #31 holes in the wall channel. Secure latch jamb to wall channel with #6 x 3/8" SMS screws (14).



**Figure 1**



**Figure 2**

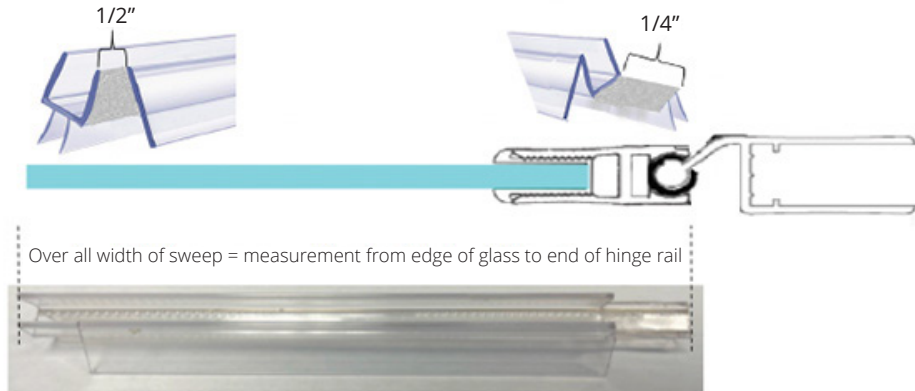


**Figure 3**

9. Set catch (15) in place on latch jamb (10) and secure with #6 x 1/4" screws.

10. Attach bottom sweep (12) to bottom of glass. Correct fabrication below.

**Note:** When using 3/16" you will have to glue or tape bottom sweep to the glass.



**Note:** Vinyl should not touch curb.

11. Clean area to where sealant is to be applied and run a bead of sealant full length inside and outside of each wall channel, where channel meet wall. Allow sealant to cure for 24 hours.

