
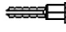
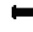




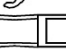
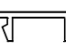




PARTS LIST

ITEM	PART	DESCRIPTION	QTY	
1	ZD-1006	Wall Channels*	2	
2	ZV-935	Wall Anchors*	6	
3	#8X1-1/4"	#8x 1-1/4" Screws*	6	
4	#6X3/8"	#6 x 3/8" Screws	8	
5	ZSS-3101	Headers	1	
6	ZSS-3101	Curbs	1	
7	ZV-902	Glass Support Blocks	1	
8		Inline Glass Panel	1	
9	ZV-909	Vertical Seal Vinyl	4	
10	ZV-906	Horizontal Seal Vinyl	4	
11	ZSS-1103	Inline Posts	1	
12	ZSS-1102	Header and Curb Fillers	2	

*NOTE: Items 1, 2 and 3 come with door stall wrap.

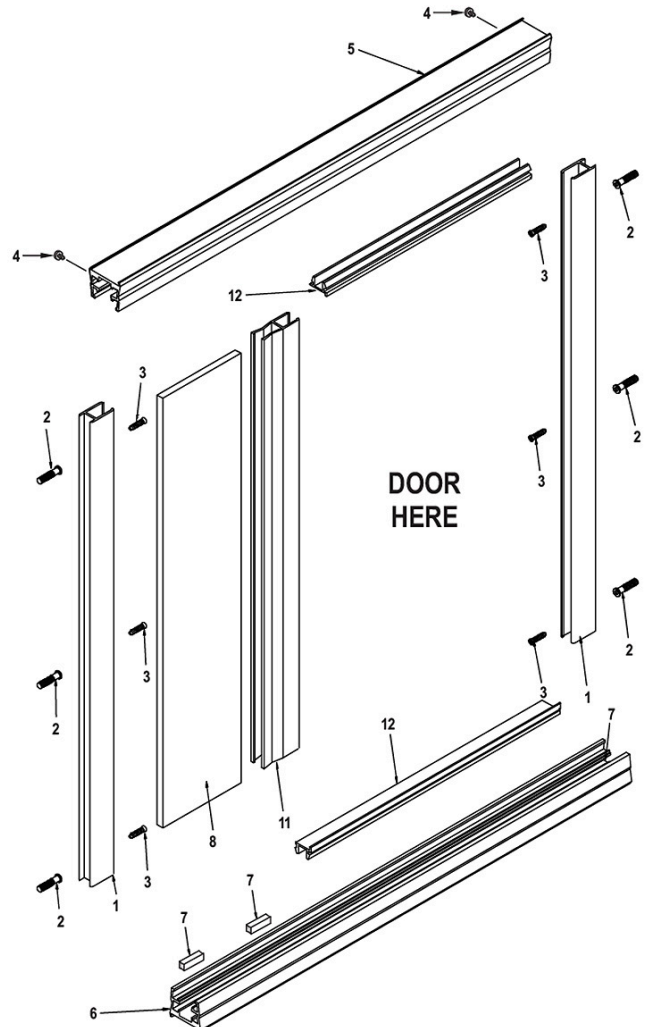
When ordering repair parts, please provide the following information:

1. Model Number
2. Part Number
3. Part Description
4. Finish Color

Required Tools:

To install your shower enclosure, you will need the following:

- Level
- #31 Drill Bit
- 3/16" Carbide Drill Bit (for tile walls)
- Phillips Screwdriver
- Silicone
- Hack Saw



INSTRUCTIONS:

Note: Wall channels (1), wall anchors (2) and screws (3) that are used in stall shower installation, are shipped with the shower door. Read both door and stall instructions before starting installation.

1. Cut curb (6) to desired length. Place parallel with front of the threshold and mark location with a pencil.
2. Place wall channel (1) into curb on stationary panel side and mark through holes provided in wall channel.
3. Place other wall channel (1) into curb on door side and mark through bottom hole only, then remove wall channel.
4. Drill marked holes using a 3/16" bit, then plug with plastic wall anchors (2).
5. Run a 1/4" bead of silicone on underside of curb and fill both ends of curb with silicone. Also silicone where ends of curb will sit on the threshold.
6. Set curb back in place with weep holes to inside of unit. Place wall channels (1) back into curb and secure using #8 x 1-1/4" (3).
7. Place glass support block in curb on fixed panel side. Place fixed panel in curb, moving it all the way into the wall channel. Tack in place at the top of the panel with vertical seal vinyl (9).
8. Cut header (5) to size and place in position.
9. Find minimum measurement for curb filler on chart, and place the inline post that distance away from door side wall channel. Check the plumb of the wall on the door side and note how much the wall is out. If the wall leans to the center, then add this length to the curb filler, or if it is leaning away from center, add it to the header filler. Never exceed the minimum or maximum measurements for the curb filler for the door size. Move the inline post so the measurements for the header and curb fillers are now corrected for wall conditions. This should leave the inline post in a plum condition. Cut filler to size and snap in place with 1/8" lip to outside.
10. Now check that the daylight opening between the inline post and the fixed panel wall channel is no larger than panel sized - (1/2") and smaller than panel size - (1 1/2"). If daylight opening does not fall within these tolerances, then adjust inline post to correct. Remember that the min. and max. of the curb fillers (or daylight opening) must not be exceeded.

(Refer to Shower Door Installation Instructions...)

11. Snip excess vinyl from latch jamb, and crimp in place at top and bottom. Holding inline post, slip latch jamb into place.
12. Install 3" vinyl channel, centered vertically on edge of glass and tap handle in place.
13. Set door (with hinge jamb attached) over door wall channel. The hinge clip on the door should be sitting on the curb filler. Pull door to latch jamb, aligning them by moving hinge side of door back and forth at top where you are holding it. This movement moves wall channel and header too. After aligning glass and latch jamb, hold wall channel and mark along inside edge of wall channel with a pencil.

14. Remove door and place wall channel back in position on line, and mark holes on wall. Drill holes, insert anchors, then secure wall channel with #8 x 1-1/4".
15. Reinsert door with hinge jamb over wall channel. Plumb and adjust as you had previously decided to do using length of header and curb filler for adjustment. Door in final position should have 3/16" margin from edge of glass to latch jamb. After locating this position, secure hinge jamb to wall channel by drilling #31 hole through holes provided and secure with #6 x 3/8".
16. Secure in-line post (11) to curb (6) using the same system.
17. Parallel header with top of door by raising header on wall channel at either side and secure in-line post and wall channels to header on inside using #6 x 3/8".
18. Make final adjustments with latch jamb and secure to in-line post with #6 x 3/8" (4).
19. Finish installing the vertical seal vinyl (9) in wall channel and then in the in-line post. Also install horizontal seal vinyl (10) at bottom and top of stationary panel, both inside and out.
20. Adjust splash vinyl on the bottom of door so that approximately 1/8" daylight space remains between bottom of splash vinyl and curb filler (12) with the door in the closed position.
21. Install magnet on to latch jamb.
22. Seal along inside and outside edge of metal and tile with silicone.

Header & Curb Fillers		
Min Filler = Door Size - 1 7/8"		
Max Filler = Door Size - 1 7/8"		
CD-20	18 1/8"	19 1/8"
CD-21	19 1/8"	20 1/8"
CD-22	20 1/8"	21 1/8"
CD-23	21 1/8"	22 1/8"
CD-24	22 1/8"	23 1/8"
CD-25	23 1/8"	24 1/8"
CD-26	24 1/8"	25 1/8"
CD-27	25 1/8"	26 1/8"
CD-28	26 1/8"	27 1/8"
CD-29	27 1/8"	28 1/8"
CD-30	28 1/8"	29 1/8"
CD-31	29 1/8"	30 1/8"
CD-32	30 1/8"	31 1/8"
CD-33	31 1/8"	32 1/8"
CD-34	32 1/8"	33 1/8"
CD-35	33 1/8"	34 1/8"
CD-36	34 1/8"	35 1/8"

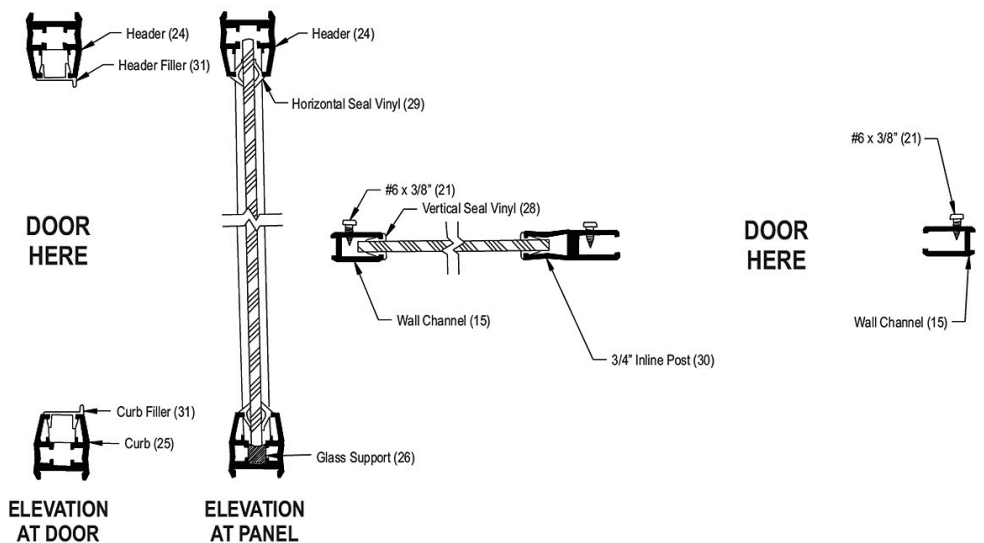


FIGURE 1

FRAMELESS ENCLOSURES:

Model CD-I Stall Shower - Panel & Door In-Line

**BREAKDOWN CHART FOR SPECIAL HEIGHT
AND WIDTH CD DOOR I-C UNITS:**

QTY.	Part# & Description	How to arrive at measurement
1	ZSS-3101 Header	Unit width minus 1/16"
1	ZSS-3101 Curb	Unit width minus 1/16"
2	ZSS-1102 Filler (See chart for measurements)	
1	ZSS-1103 180 Degree Post	Unit height minus 1-1/4"
2	ZD-1006 Wall Channel	Unit height minus 1-1/4"
1	ZD-1004 Latch Jamb	Unit height minus 2-3/8"
1	ZD-2505 Hinge Jamb	Unit height minus 2-3/8"
1	ZD-2503 Hinge Rail	Unit height minus 2-1/4"
1	ZD-1002 Bottom Rail	Door glass width minus 11/16"*
1	ZD-1008 Drip Trough (see chart for door glass width)	
*These parts are from a CD		

Glass

1	Width	Unit width minus door width, minus 1"
	Height	Unit height minus 1"