

**PARTS LIST**

ITEM PART	DESCRIPTION	QTY	ITEM PART	DESCRIPTION	QTY
1 ZTE-1203	Wall Jamb	2	15 ZTE-1209	Roller Bracket Assembly	4
2 ZV-935	Wall Anchors	8	16	Inside Glass Panel (1 holes)	1
3 #8X 1-1/4	#8x 1-1/4" Screws	8	17	Outside Glass Panel (2 holes)	1
4 ZV-924	Door Bumpers	2	18 ZV-918	Curb Vinyl for ZTE-1222	1
4A ZV-926	Bottom Bumpers	1	19 ZTE-1214	90-Degree Post	1
5 6-32 X 1/2	6-32 x 1/2" Screws	2	20 ZD-1006	Curb Channel	1
6 ZTE-1222	Bottom Still	1	21 ZD-1006	Wall Channel	1
7 ZV-920	Center Guide - 3"	1	22 ZC-180	Post to Curb Key	2
8 ZTE-5201	Header	2	23 ZD-90	Post to Header Clip	1
9 CHG-TB	Tubular Towel Bracket	1	24 ZV-902	Glass Support Block	1
10 CHG-KSM	Tubular Inside Pull	1	25	90 Degree Glass Panel	1
11 CAP 34	Towel Bar/Pull Fastener	3	26 ZV-909	Vertical Seal Vinyl	6
12 Washer	3/4" Nylon Towel Bar Washer	6	27 ZA-90	90 Degree Header Clip	2
13 Sleeve	1/4" Nylon Towel Bar Sleeve	3	28 #6x1/4	#6 x 1/4" Screw	1
14 #6 X 3/8"	#6 x 3/8" Screws	7			

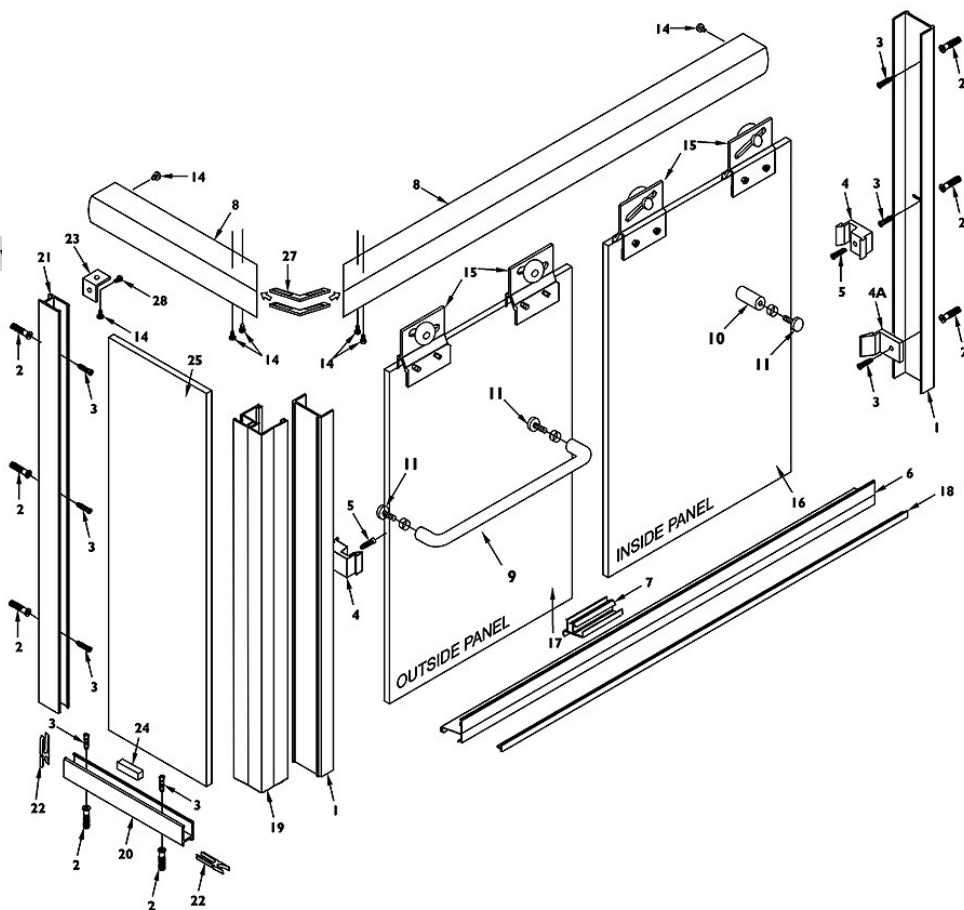
When ordering repair parts, please provide the following:

1. Model Number
2. Part Number
3. Part Description
4. Finish Color

**Required Tools:**

To install your shower enclosure, you will need the following:

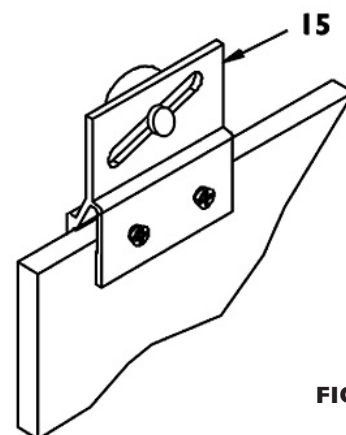
- Level
- #31 Drill Bit
- 3/16" Carbide Drill Bit (for tile walls)
- Phillips Screwdriver
- Silicone
- Hack Saw
- 1/4" Box End Wrench



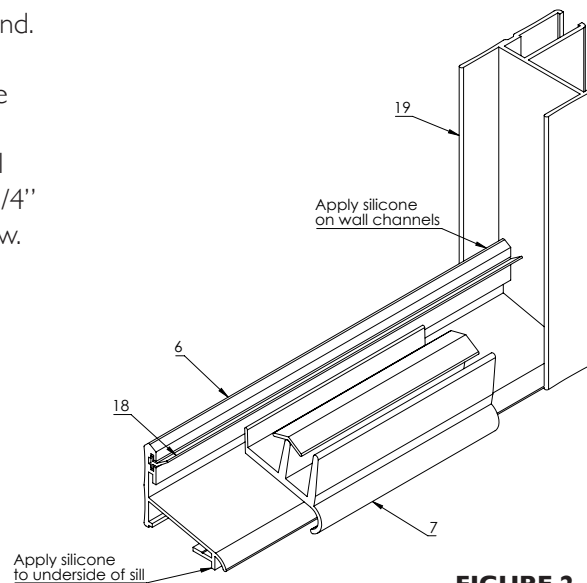
**INSTRUCTIONS:**

**Note: Apply a bead of silicone (GE 1200) into the open channel of roller bracket before attaching to glass. To assemble roller bracket (15) to glass, tighten screws until surface of roller bracket is depressed 1/32" (28 inch pounds of torque). Allow to cure for 24 hours before hanging sliders.**

1. Using a straight edge, draw a line down the center of the tub rim or pan curb. (The lines should cross in the front corner).
2. Set jamb (1) in place on the wall, centering bottom of jamb on rim of tub. Hold plumb and mark for screw holes.
3. Remove jamb (1) and drill 3/16" holes and insert plastic screw anchors (2).
4. Silicone where the wall meets the rim of the tub to seal bottom corner of jamb. Set jamb (2) in place and secure with #8 x 1-1/4" screws (3). Secure bottom bumper (4a) on shower head side with bottom jamb screw.
5. Measure, on end panel side, from back wall to center of front corner where lines cross. Deduct 3/4" from this measurement and cut curb channel (20) to length. Run a bead of silicone on underside of curb channel and set curb channel in place of center of curb, (weep holes to inside). Slide post to curb key (22) onto curb channel (20) and move to the wall. Vertical wall channel will key over exposed end.
6. Set wall channel (21) on curb channel (20), hold plumb and mark the wall for the screw hole locations. Remove wall channel, drill holes into the wall and insert plastic anchors (2). Fill curb channel with silicone where curb channel meets wall and set wall channel in place. Set wall channel in place and secure with #8 x 1-1/4" (3). Secure header clip (23) to top inside leg of header with #6 x 1/4" (28) screw.
7. Place glass support block (24) in center of the curb channel. Set panel (25) in place in curb channel and wall channel. Insert vertical seal vinyl (26) into wall channel on both sides of the panel.
8. Insert clip (22) into curb channel and apply a layer of silicone to curb where 90 degree post will set. Set 90 degree post (19) in place over edge of panel glass and curb clip, hold plumb and insert vertical seal vinyl (26) into post and curb channel on both sides of panel glass.
9. Measure from inside of wall jamb to inside of 90 degree post and use this measurement to cut sill (6) to length. Run a bead of silicone full length to underside of sill and apply silicone in corners where wall jamb and corner post met curb and press guide firmly into place on curb.
10. Assemble header (8) using 90 degree clips (23) and #6 x 3/8" SMS (14). Measure from both walls to outside corner of corner post (plumb in both directions) and add 3/8" to this measurement for header length. Cut header to length and set in place over jamb (1), corner post (19) and wall channel (21). Secure header to jamb and corner post from INSIDE of shower and to clip (23) attached to wall with #6 x 3/8" SMS (23).



**FIGURE 1**



**FIGURE 2**

11. To set slider glass in place, hold inside slider panel (16) inside of tub or shower pan, insert rollers up into header and lower into place. The inside slider glass has only one hole for the inside pull handle (10) and will close against the wall jamb on the shower head side. Next, insert lower end of outside slider (17) in front of slider by pushing lower ends far enough in, to allow clearance on inside edge of tub or pan. Avoid roller bracket to roller bracket contact while lifting panel into place. The outside slider will close against the jamb opposite the shower head.

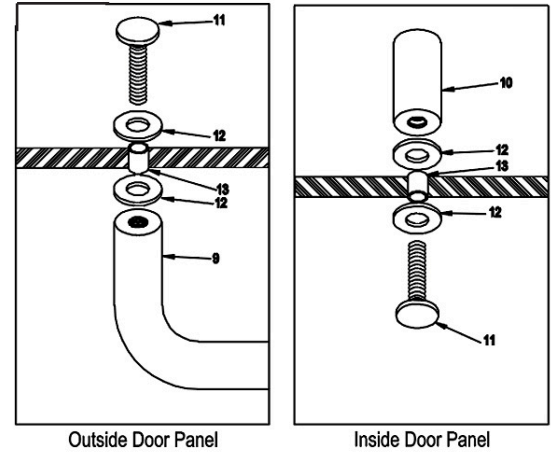
12. Place center guide (7) to center position on sill (6). Make sure the center guide is hooked into the slot position on the sill then snap center guide to sill.

13. Close panels and adjust the align the vertical edge of panels with jamb and post. Using a 1/4" box-end wrench, loosen the screws on the rollers, but don't remove completely. When screws are loose, adjust panel by sliding the screw in the slot. NOTE: When screws are loose, be sure to support panel so it does not fall and break. Adjust inside slider as low as possible to reduce the gap between bottom of slider and sill taking care that the glass does not drag on the track or center guide. Adjust for bowed glass by using the slotted hole in the jamb.

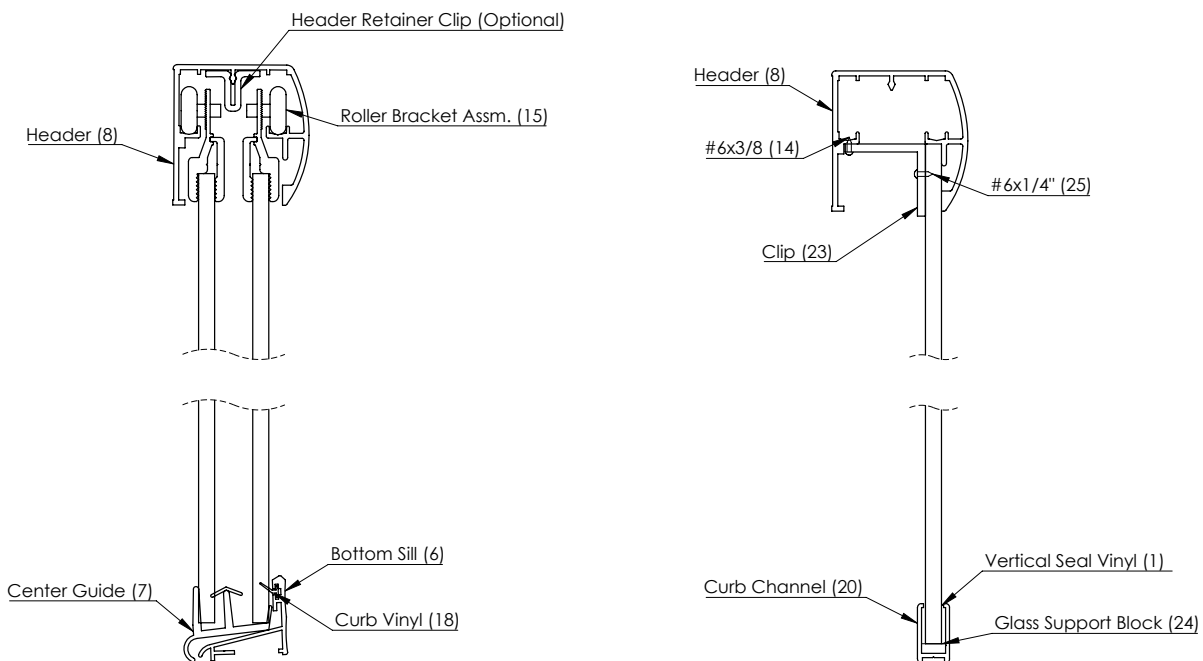
14. Install bumpers (4) to the jambs and corner post with 6-32 x 1/2" screw (5). NOTE: Glass panels close into the recessed portion of bumpers (4). The recess is toward the inside of the tub on the shower head jamb and toward the outside on the corner post.

15. To install towel bar (9), place nylon towel bar insert sleeves (13) into holes in the glass (17). Next hold the tubular towel bar (9) against the hole in the glass with the nylon towel bar/pull washer (12) between the glass and the towel bar. Place a nylon towel bar/pull washer on the towel bar/pull screw (11) and secure towel bar in place on both ends. Install the pull the same way to towel bar was installed. Use hole in fastener to tighten (See Figure 3).

17. Silicone inside the shower where jambs meet walls and sills meet rim of tub.



**FIGURE 3**



**FIGURE 4**

**FRAMELESS ENCLOSURES:**

Model TETE-3 Tub Enclosure

Model TESE-3 Shower Enclosure

Model #	Width	Return Panel	Height	Max. Glass Size
TETE-3	42" to 60"	36"	57-3/8"	2- 30" x 55" & 35-1/4" x 55"-3/8"
TESE-3	42" to 60"	36"	70-3/8"	2- 30" x 68" & 35-1/4" x 68"-3/8"

**BREAKDOWN CHART FOR SPECIAL HEIGHT AND WIDTH TETE-3 & TESE-3 UNITS:**

QTY.	Part# & Description	How to arrive at measurement
2	ZTE-5201 Header	Unit width, front return mitered
2	ZTE-1203 Side Jamb	Unit height minus 1-1/8"
1	CHG TB	
1	CHG KSM	
1	ZTE-1222 Bottom Track	Unit width minus panel width, minus 7/16"
1	ZTE-1214 90 Degree Post	Unit height minus 1-1/8"
1	ZD 1006 Curb	Return width
1	ZD 1006 Back all vertical	Unit height minus 2-1/16"

**Glass**

2	Slider Width	Unit width minus panel width, divided by 2
	Height	Unit width minus 2-3/8"
1	Stationary panel width	Return width minus 3/4"
	Height	Unit height minus 2"