

PARTS LIST

ITEM PART	DESCRIPTION	QTY
1 ZTE-1203	Wall jambs	2
2 ZV-935	Wall Anchors	6
3 #8X 1-1/4"	#8x 1-1/4" Screws	6
4 ZV-924	Door Bumpers	2
4A ZV-926	Bottom Bumpers	1
5 6-32 X 1/2"	6-32 x 1/2" Screws	2
6 ZTE-1222	Bottom Still	1
7 ZV-920	Center Guide - 3"	1
8 ZTE-1201	Header	1
9 ZTE-2206	Towel Bar Bracket	1
10 ZTE-2206P	Towel Bar Bracket With Pull	1
11 ZTE-2205	Towel Bars	2
12 ZTE-2207	Inside Door Pull	1
13 #6 X 3/8"	#6 x 3/8" Screws	6
14 ZV-914	Handle Vinyl	3
15 ZTE-1209	Roller Bracket Assembly	4
16	Inside Glass Panel	1
17	Outside Glass Panel	1
18 ZV-918	Curb Vinyl with ZTE-1222	1
19 ZV-952	Snap-In Retainer (Optional)	2



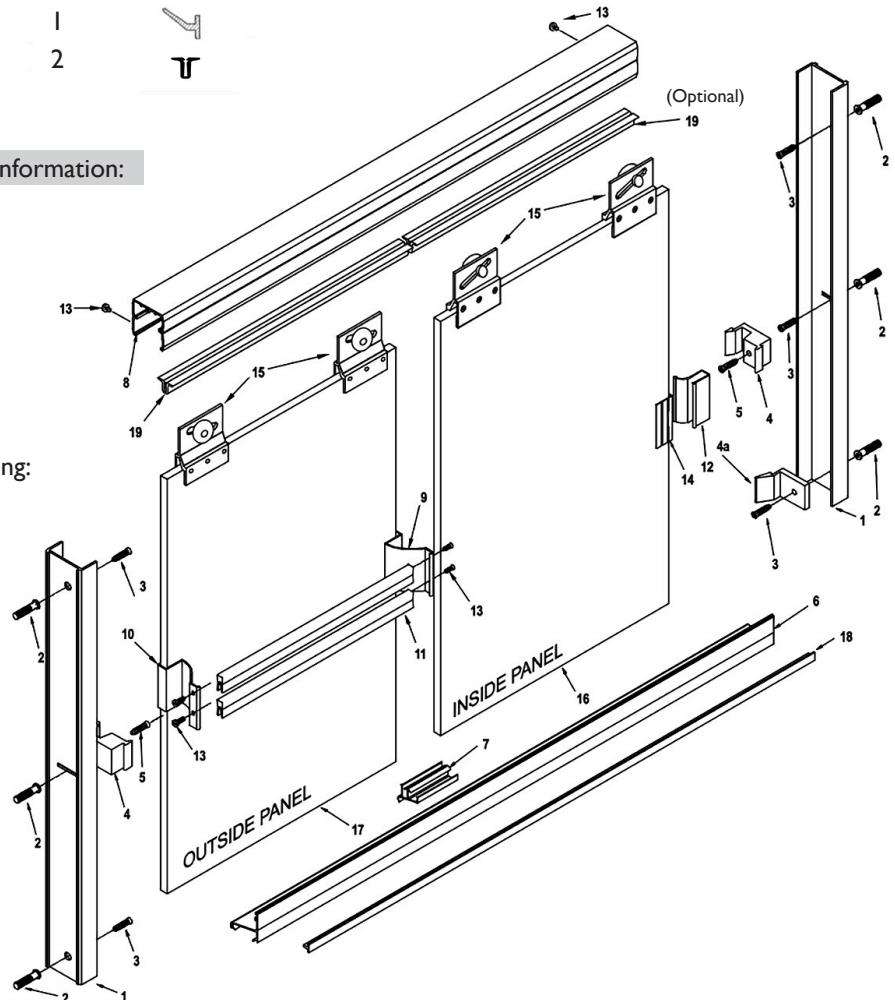
When ordering repair parts, please provide the following information:

1. Model Number
2. Part Number
3. Part Description
4. Finish Color

Required Tools:

To install your shower enclosure, you will need the following:

- Level
- #31 Drill Bit
- 3/16" Carbide Drill Bit (for tile walls)
- Phillips Screwdriver
- Silicone
- Hack Saw
- 1/4" Box End Wrench



INSTRUCTIONS:

Note: Apply a bead of silicone (GE 1200) into the open channel of roller bracket before attaching to glass. To assemble roller bracket (15) to glass, tighten screws until surface of roller bracket is depressed 1/32" (28 inch pounds of torque). Allow to cure for 24 hours before hanging sliders.

1. Set wall jambs (1) in place on walls, centering bottom of jambs on rim of tub. Hold plumb and mark walls for screw holes.
2. Remove and drill 3/16" diameter holes in walls (use a carbide tipped drill bit for tiles walls). Insert plastic wall anchors (2) into holes. Silicone where the wall meets the rim of the tub to seal the bottom of jamb. Set jambs in place and secure to the wall with #8 x 1-1/4" screws (3). Secure bottom bumper (4a) on shower head/inside side with the bottom wall jamb screw.
3. Cut sill (6) to fit opening between jambs. Run a bead of silicone full length to the underside of sill (See Figure 2) and apply silicone to inside of jamb where jamb meets tub. On the inside of jamb, run an 1/4" bead of silicone 1-1/4" up the outside leg of each wall jamb (See Figure 2). Set curb in place, then press firmly to rim of tub. Wipe off any excess silicone before curing. Use tape to hold in place until silicone sets.
4. Cut header (8) 1/32" to 1/16" less than opening width and set in place.
5. To set slider glass in place, hold inside slider inside of tub shower pan, insert rollers up into header and lower into place. The inside will close against the wall jamb on the shower head side. Avoid roller brackets to roller bracket contact while lifting panel into place. The outside slider will close against the jamb opposite the shower head.
6. Place center guide (7) to center position on sill (See Figure 2). Make sure the center guide is hooked into the slot position on the sill, then snap center guide to sill.
7. Close panels and adjust to align the vertical edge of panel with jamb. Using a 1/4" box-end wrench, loosen the screws on the rollers, but don't remove completely. When screws are loose, adjust panel by sliding the screw into the slot. NOTE: When screws are loose be sure to support panel so it doesn't fall and break. Adjust the inside slider as low as possible to reduce the gap between bottom of slider and still taking care that the glass does not drag on the track of center guide.
8. Set handle vinyl (14) in place over edges of outside glass panel (17) with bottom of vinyl in line with bottom of bumper. Tap towel bar brackets (9 & 10) in place. Bracket with pull should be to jamb side of slider opposite shower head. Assemble towel bars (11) to brackets using #6 x 3/8" screws (13).

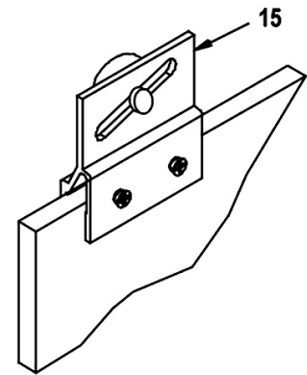


FIGURE 1

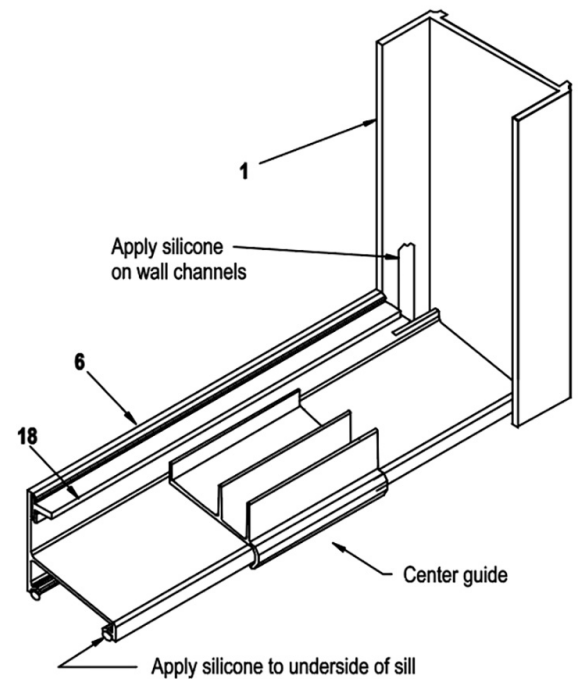


FIGURE 2

9. Set handle vinyl (14) in place over edge of inside glass panel (16) with bottom of bumper on edge facing the wall jamb (1). Tap inside door pull (12) in place. NOTE: Large portion of pull to the inside of slider. This panel should be at the shower head/inside side.
10. Center hole in jamb is slotted to allow adjusting of jamb to compensate for bowed glass. After installing hardware, roll both panels into jamb on one side. If edge of glass hits on edge of jamb, loosen center screw and adjust jamb accordingly. Repeat on opposite side. From INSIDE of unit, drill #31 holes through header and into wall jamb. Secure header to wall jambs with two #6 x 3/8" screws (13).
11. Secure bumpers (4) in place with 6-32 x 1/2" screw (5). NOTE: Glass panels close into the recessed portion of bumpers. The recess is toward the inside of the tub on the shower head jamb, and toward the outside on the other jamb.
12. **IMPORTANT:** After doors have been installed and rollers adjusted, you can now install the **optional** snap in retainers (19) onto the upper center rib inside the header. Slide both doors to one side, starting at the "open" wall, push the retainer into place until the "snap" is heard toward the end. Slide the doors to the opposite side and repeat process starting from the opposite wall. NOTE: One snap retainer will need to be trimmed to fit; retainers will not overlap but need to butt together. Refer to Figure 4 for cut away view of installation.

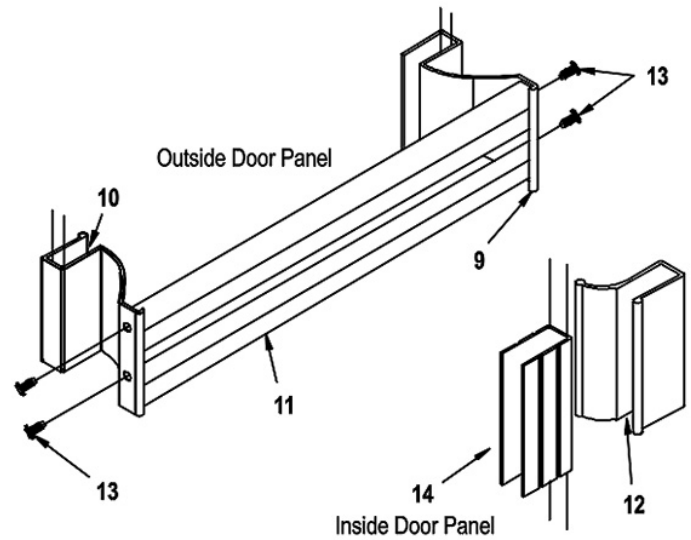


FIGURE 3

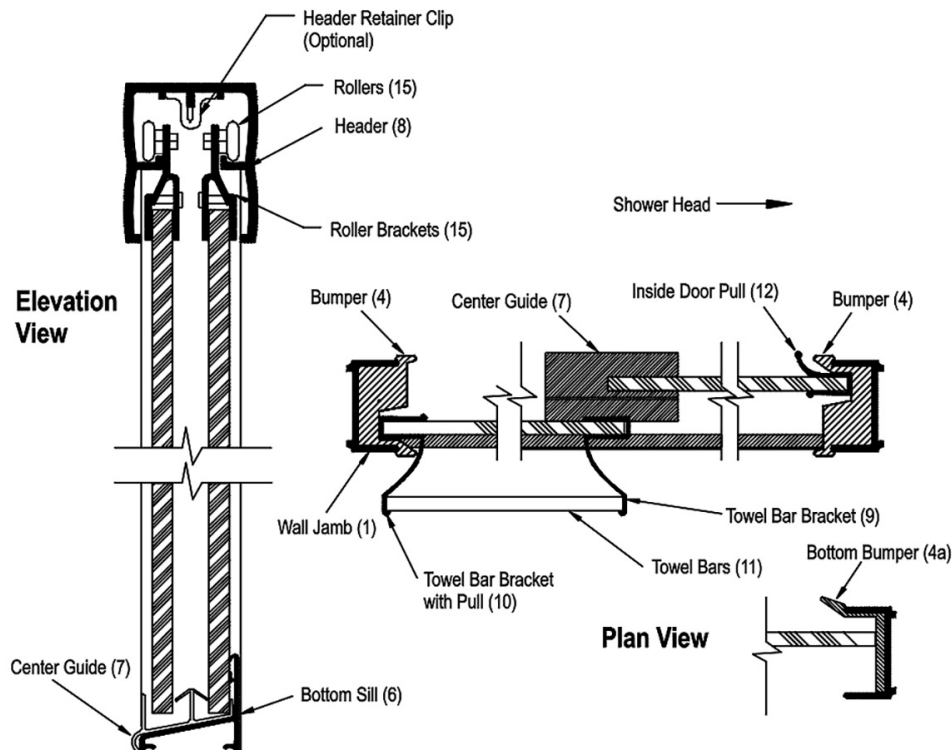


FIGURE 4

FRAMELESS ENCLOSURES:

Model TE Tub Enclosure

Model SE Shower Enclosure

Model #	Width	Height	Max. Glass Size
TE-60	42" to 60"	57-3/8"	30" x 55"
TE-66	60" to 66"	57-3/8"	33" x 55"
TE-72	66" to 72"	57-3/8"	36" x 55"
SE-48	42" to 48"	70-3/8"	24" x 68"
SE-60	54" to 60"	70-3/8"	30" x 68"
SE-66	60" to 66"	70-3/8"	33" x 68"
SE-72	66" to 72"	70-3/8"	36" x 68"

BREAKDOWN CHART FOR SPECIAL HEIGHT AND WIDTH TE & SE UNITS:

QTY.	Part# & Description	How to arrive at measurement
1	ZTE-1201 Header	Unit width minus 1/16"
2	ZTE-1203 Side Jamb	Unit height minus 1-1/8"
1	ZTE-1222 Bottom Track	Unit width minus 7/16"
1	ZTE-2205 Towel Bars	Glass width (see chart above) minus 1/4"

Glass

2	Slider Width	Unit width divided by 2
	Height	Unit width minus 2-3/8"

*Model TE-60 short (56-3/8" high) is available using 30" x 54" glass

*Model SE-56 short (55-3/8" high) is available using 28" x 53" glass