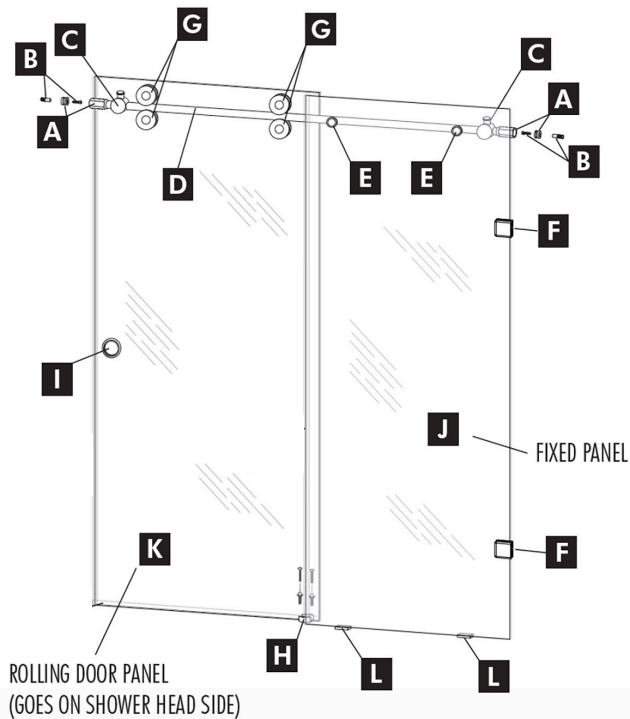


PARTS LIST

ITEM PART	DESCRIPTION	QTY
A SK-EMP 73 11Ax25	Connector Bracket (Sleeve & Wall Mount Puck)	2
B SKYE-18/19	Connector Bracket hardware *See note below	2
C SK-EMP 503Fx25	Door Stops	2
D SK-SKY-500 25	Support Bar	1
E SK-EMP 502G1x25	Fixed Panel Bracket (for Support Bar)	2
F HG- CHGCGTW	Fixed Panel Clip (for Wall Mount)	2
G SK-EMP 501 E1x25	Door Rollers	4
H SKSKY 505S 25	Center Guide	1
I SK-SKY 50HI	Recessed Finger Pull	1
J	Fixed Panel (3/8" Clear Glass)	1
K	Sliding Panel (3/8" Clear Glass)	1
L HI-PSB040	Glass Block	1
P SK-SKY PVCPI9	Polycarb (Optional "L" Shaped for Fixed Panel)	1
Q SK-SKY PVCDI9	Polycarb ("A" Shaped for Door)	1
R SK-SKY PVCSI9	Polycarb (Optional Sweep for bottom of door)	1



IMPORTANT INSTALLATION NOTE:

Proper support is required behind the wall to support the weight of this unit. Wood backing is suggested. *Item B consists of two hardware options for use in attaching the wall mount puck portion of the connector brackets. Use either the 2" wood screws where wood backing is present, or screws with metal anchors as an alternate. Anchors should be only used where there is tile and Greenboard or Cementboard. **See Figure 1**



FIGURE 1

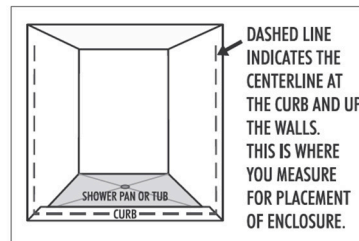


FIGURE 2

STEP 1

Starting on the stationary panel side, use the centerline of the tub/shower base as a starting point (**See Figure 2**) and come down 3-9/16" from overall height of shower and drill first hole. Next, staying on the centerline, mark the second hole on opposite side and **BEFORE** drilling, use level to see if both holes are placed so that the bar will be perfectly level. **If your tub/shower base has outages, BE CAREFUL MEASURING UP FROM THE BASE TO MARK YOUR HOLES BECAUSE THEY WILL NOT BE LEVEL AND YOUR DOOR WILL NOT ROLL PROPERLY.** The connector brackets (Item A) consist of two parts, a tubular sleeve and a wall-mount puck. Using your allen key remove your wall mount puck located inside the tubular sleeve. Attach wall mount pucks using one of the hardware options (Item B) provided. Fill hole with silicone after drilling. Tighten screw down inside puck. Make sure the slot in the puck is vertical to allow for some leveling adjustment. **See Figure 3**

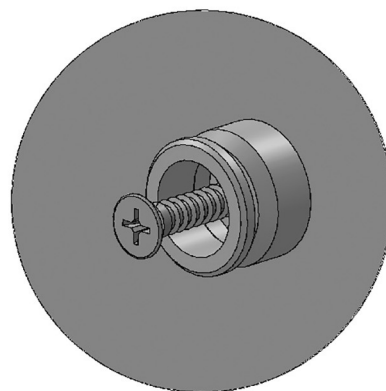


FIGURE 3

STEP 2

Slide door stops (Item C) a few inches down onto each end of the bar and use a small amount of tape to hold it in place or temporarily tighten them to the bar so they won't slide off during installation. **See Figure 4**

NOTE: Make sure allen screws are loosened to keep from scratching bar.

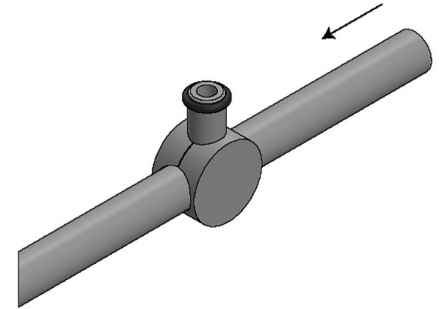


FIGURE 4

STEP 3

Slide tubular sleeve portion of connector brackets (Item A) onto each end of the bar and temporarily secure to ends of bar. **See Figure 5.** The connector brackets have a flat side that should be positioned to face the glass on both sides. The support bar has two holes that will go on the panel side and should be facing out of the shower.

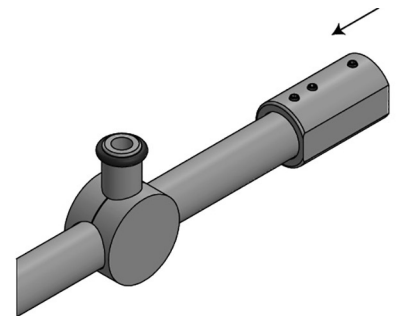


FIGURE 5

STEP 4

Align support bar to the wall mounted pucks and slide connector brackets back over puck, flush with the wall. The brackets are designed to allow approximately 1/2" of travel on the support bar for adjustment purposes. **See Figure 6.** Tighten 6 set screws (3 on top and 3 on bottom) of connector bracket to secure the bar. Repeat on opposite end of bar. **See Figure 7**



FIGURE 6

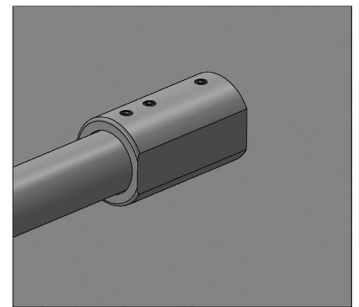


FIGURE 7

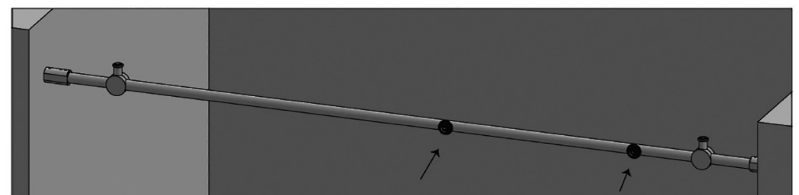
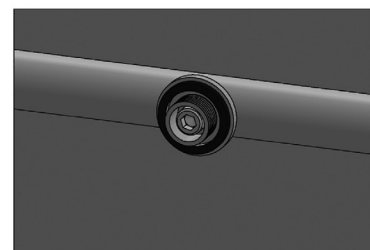


FIGURE 8

STEP 5

Remove covers from each of the fixed panel brackets (Item E) and using allen key, securely attach brackets into the predrilled holes for the support bar. **See Figure 8**



STEP 6

Attach the fixed panel wall clips (Item F) to the side of the fixed glass panel (Item J) with the wall bracket to the inside of the shower. **See Figure 9**

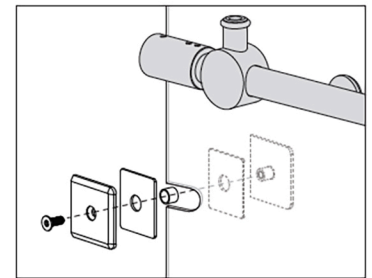


FIGURE 9

STEP 7

Set panel glass (Item J) on glass blocks (Item L) and temporarily attach with female portion of fixed panel brackets (Item E) to bar. This is to accurately mark the holes for the wall mount brackets prior to drilling. Ensure panel glass is level and plumb before marking holes. **See Figure 10.** After marking holes remove fixed panel and set aside. Drill holes using a 5/16" drill bit. Blow out the holes, insert silicone, then insert plastic anchors (Item N).

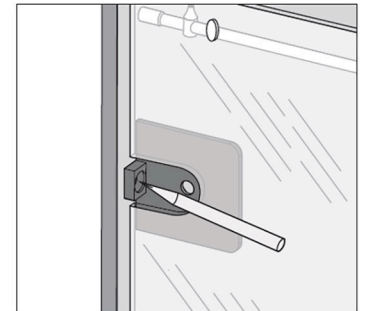


FIGURE 10

NOTE: If holes do not align to brackets on the support bar, horizontal adjustment can be made with bar. See Figure 6.

STEP 8

Attach two of the Door Rollers (Item G) to the upper holes of the Rolling Door Panel (Item K). use the cam system on the reverse side of the rollers to position as close to the top of the glass as possible. See Figure 13. Next, attach the Recessed Pull (Item I) and attach "A" shaped Polycarb (Item Q) to the side of the door that meets the wall. If preferred, attach optional door sweep Polycarb (Item R) to the bottom of the door. **See Figure 11**

Set partially assembled Rolling Door Panel INSIDE the shower or tub enclosure before reattaching fixed glass panel.

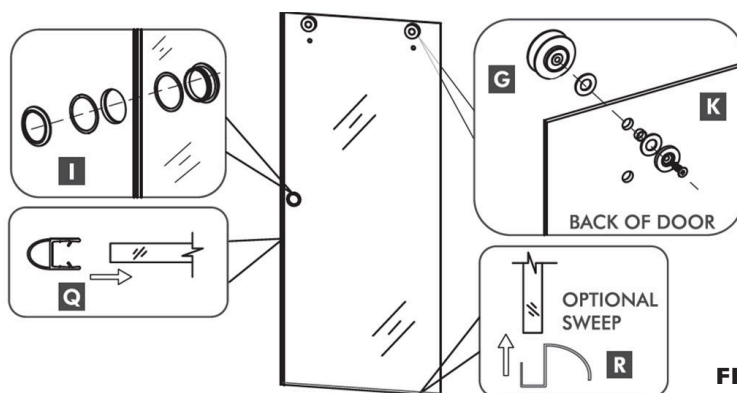


FIGURE 11

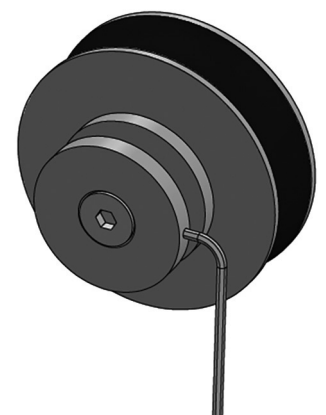


FIGURE 11

STEP 9

Set fixed panel glass (Item J) on glass blocks and attach with brackets (Item E) to the Support Bar (Item D) **See Figure 12**. Ensure panel glass is level and plumb, using adjustment in the support bar and/or wall connectors if required, then fasten both wall mount clips (Item F) to the wall using the countersunk screw M4x45 (Item M).

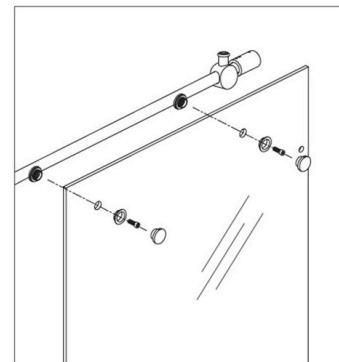


FIGURE 12

STEP 10

Carefully hang the door glass on the bar for the purposes of marking for the center guide (Item H) only. **See Figure 13**.

NOTE: Center guide (Item H) has two settings. On the bottom of the center guide, use 10mm setting (tighter) for 3/8" glass, or if using the optional polycarb sweep at the bottom of the door glass, adjust to the 12mm setting before attaching to base/curb. See Figure 14.

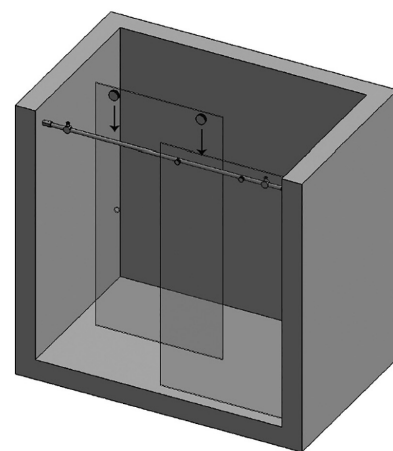
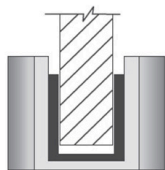
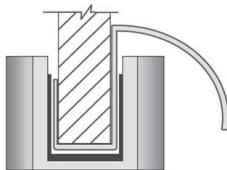


FIGURE 13

SIDE VIEW - Center guide options



10MM Setting 3/8" glass only



12MM Setting 3/8" glass & polycarb

FIGURE 14

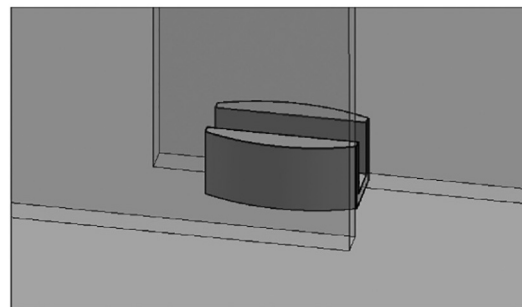


FIGURE 15

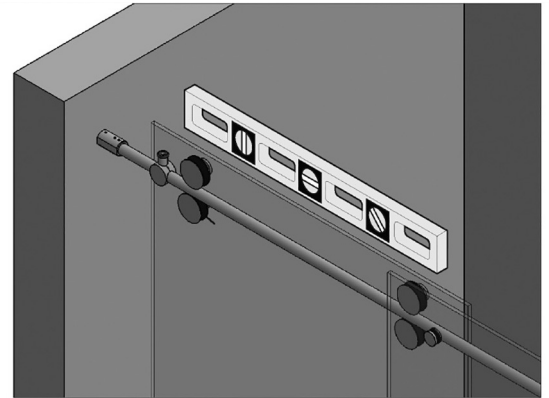
STEP 11

Hold glass plumb and mark both holes for center guide (Item H). Remove door and set aside. Using 5/16" bit, drill holes, insert plastic anchors (Item N). It is important to put silicone in screw holes and properly silicone guide itself to avoid leaking. Use Round head screws (Item O) to attach center guide. **See Figure 15**.

STEP 12

Hang door glass back on rod and install bottom rollers (Item G), as in previous step for top rollers. Notice there is a cam system installed in the rollers that will allow adjustment for small outages. Using a level, adjust top rollers with provided allen wrench, ensure that the bottom edge of the glass does not touch the bottom of the center guide, then use the same cam system (See Figure 13) on the bottom rollers, to then snug up to the rail to ensure the door glass will not come off track.

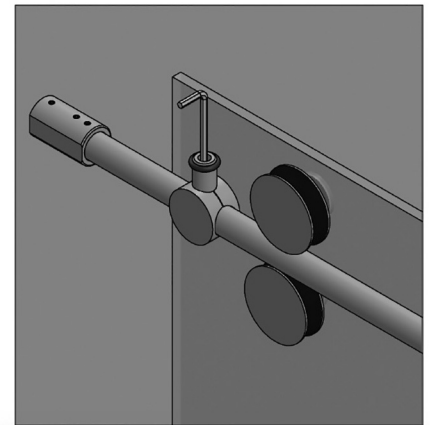
See Figure 16.

**FIGURE 16****STEP 13**

IMPORTANT: GLASS STOPS (Item C) MUST BE ADJUSTED PROPERLY TO KEEP GLASS FROM STRIKING WALL AND/OR WALL CONNECTORS AND BREAKING.

Adjust both glass stops (Item C) for required stopping distance for door glass.

See Figure 17.

**FIGURE 17****STEP 14**

Silicone the inside and outside of the stationary panel, at both the wall and curb.