

DETAILS:

Product ID: ZSS-4504

Description: Extra Deep U-Channel for 3/8"

Glass

HMI

4795 Shepherdsville Road

Louisville, KY 40218

Tel: 502-969-4059

Fax: 800-313-4195

hmiglass.com

SPECIFICATIONS:

Glass Thickness: 3/8" (10mm)

Gauge: 3/32" wall thickness

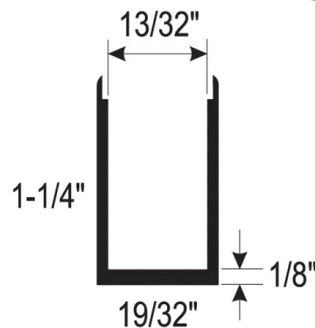
Material: Fabricated with extruded 5000 and 6000 series billet. All exposed surfaces are polished before anodizing. Powder Coated and Satin units may be extruded with the same alloy and temper used for anodized metal.

AVAILABLE FINISHES*:

- CH - Chrome
- MB - Matte Black
- NI - Brushed Nickel
- RO - Roman Bronze
- OB - Oil Rubbed Bronze

NOTES:

- Never use abrasive cleaners on the finish as they may damage the finish.



DRAWINGS NOT TO SCALE