

### DETAILS:

Product ID: GES037 (CHG-HGTWS)

Description: Genesis Square Glass Wall Mount Hinge

HMI

4795 Shepherdsville Road

Louisville, KY 40218

Tel: 502-969-4059

Fax: 800-313-4195

hmiglass.com

### SPECIFICATIONS:

- Glass Thickness: 3/8" (10mm) to 1/2" (12mm) tempered glass
- Material: Solid Forged Brass
- Swing: 90° in and 90° out. Dual degree pivot pin.
- Closing Type: Self centering and closing from 15°
- Includes: Stainless steel installation hardware, gaskets & allen wrench

### MAXIMUM CAPACITIES:

**For 3/8" (10mm) and 1/2" (12mm) Glass:**

Hinges	Max. Door Weight	Max. Door Width
2	80 lbs. / 36 kg.	28" / 914 mm
3	120 lbs. / 54 kg.	32" / 914 mm

*Do not exceed either max door weight or max door width.*

### Glass Weights:

3/8" (10mm) glass is 5.05 lbs/sf or 2.30 kg/sf

1/2" (12mm) glass is 6.40 lbs/sf or 2.91 kg/sf

### GASKETS:

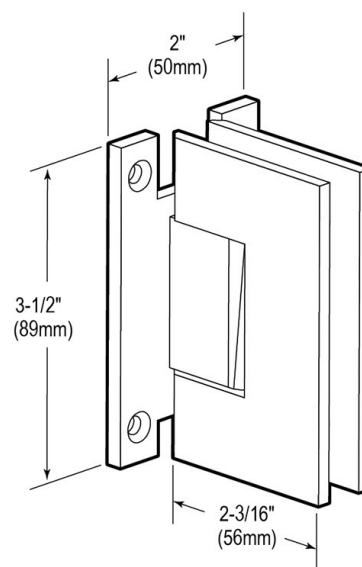
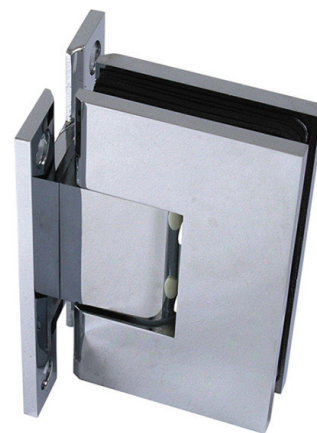
- For 3/8" Glass: Use one thick gasket on each side
- For 1/2" Glass: Use one thin gasket on each side

### AVAILABLE FINISHES\*:

- CB - Champagne Bronze
- CH - Chrome
- DA - Dark Anodized Oil Rubbed Bronze
- GO - Gold (Brass)
- MB - Matte Black
- NI - Brushed Nickel
- PN - Polish Nickel
- RO - Roman Bronze
- SA - Satin Chrome

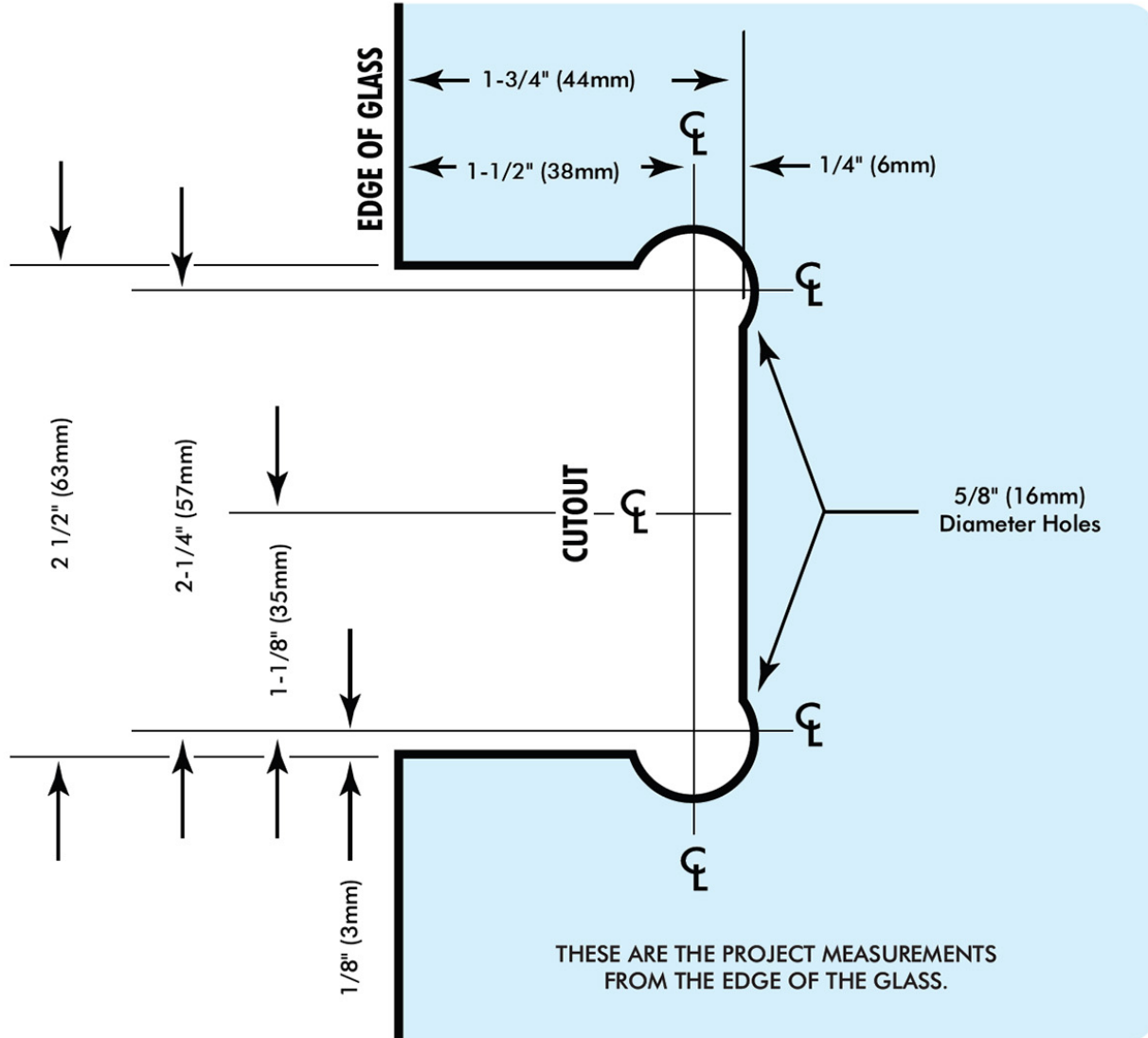
### NOTES:

- Do not use power tools when installing hinges on glass.
- For use only with tempered 3/8" to 1/2" glass.
- Do not use spray lubricant on hinges.
- Never use abrasive cleaners on hardware as they may damage the finish.



DRAWINGS NOT TO SCALE

**"MOUSE EAR" Option**



DRAWINGS NOT TO SCALE