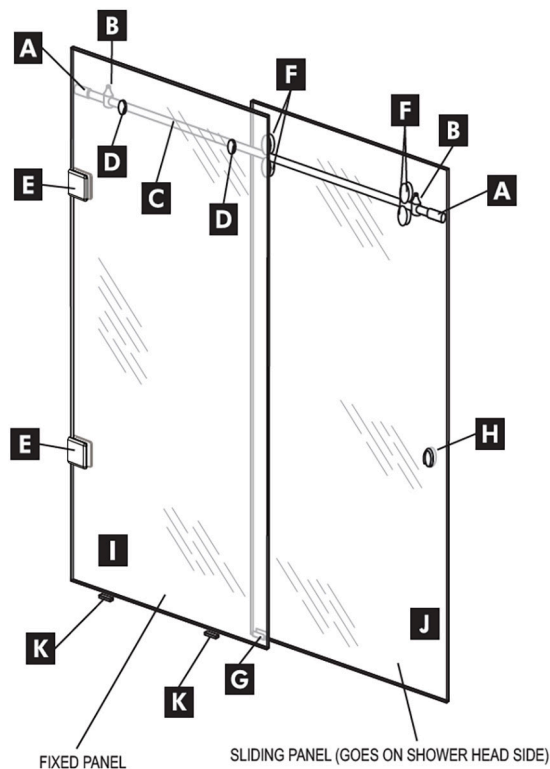


PARTS LIST

ITEM PART	DESCRIPTION	QTY
A SK-SKY 73-11Ax19	Connector Bracket	2
B SK-SKY 503F 19	Door Stops	2
C SK-SKY 500 19	Support Bar	1
D SK-SKY 502G1x19	Panel Glass Bracket	2
E HG-CHGCGTW	Wall Mount Clamp	2
F SK-SKY 501E1x19	Rollers	4
G SK-SKY 505S 19	Center Guide	1
H SK-SKY 50H 1	Recessed Finger Pull	1
I	Fixed Panel (3/8" Clear Glass)	1
J	Rolling Panel (3/8" Clear Glass)	1
K HI-PSB040	Glass Block	2
SKY PVC P	Polycarb (Optional "L" Shaped for Fixed Panel)	1
SKY PVC D	Polycarb ("A" Shaped for Door)	1
SKY PVC S	Polycarb (Optional Sweep for bottom of door)	1



STEP 1

Using the centerline of tub/shower base as a starting point, come down 3" from overall height of shower and drill holes on both walls for bar attachment. If you're drilling into wood, use a 3/16" drill bit. If using the anchors, use a 1/4" drill bit. If your tub has outages, and you're measuring up from the tub or shower base, make sure to allow for your outages so the bar will be completely level when installed.

Place anchor in hole (if needed) and silicone in hole. The connector bracket (Part number 73-11A Item A) consists of two parts, a tubular sleeve and a wall-mount puck. Using your allen key remove your wall mount puck located inside the tubular sleeve. Attach wall mount pucks using 1-1/2" screws provided. See figure 1. Tighten screw down inside puck. Make sure the slot in the puck is vertical to allow for some leveling adjustment.

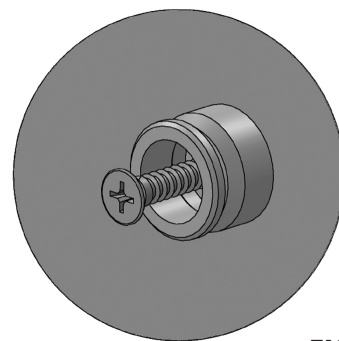


FIGURE 1

STEP 2

Slide door stops (Part number 503F Item B) a few inches down onto each end of the bar and use a small amount of tape to hold it in place so it won't slide off during installation of the rod. See figure 2.

NOTE: Make sure allen screws are loosened to keep from scratching bar.

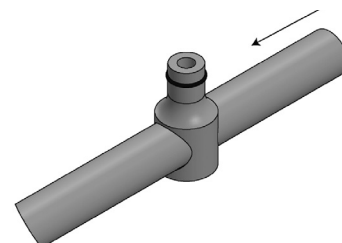


FIGURE 2

STEP 3

Slide tubular parts of connector brackets (Part number 73-11A Item A) onto each end of bar. See figure 3.

NOTE: Make sure allen screws are loosened to keep from scratching bar.

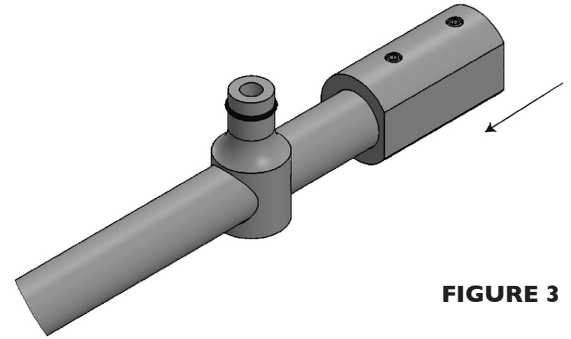


FIGURE 3

STEP 4

Place bar in-line with mounted wall pucks and slide connector brackets over puck. Ensure that the flat spot of the connector bracket is facing towards glass side. Tighten set screws on top and bottom of connector bracket to secure the bar. See figure 4.

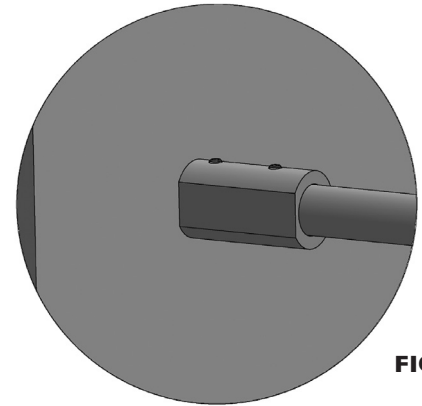


FIGURE 4

STEP 5

Install the two panel glass bracket (Part number 502G1 Item D) on bar securely using allen key. Set panel glass on glass blocks and loosely attach with brackets to bar. See figure 5. This is to accurately mark the holes for drilling.

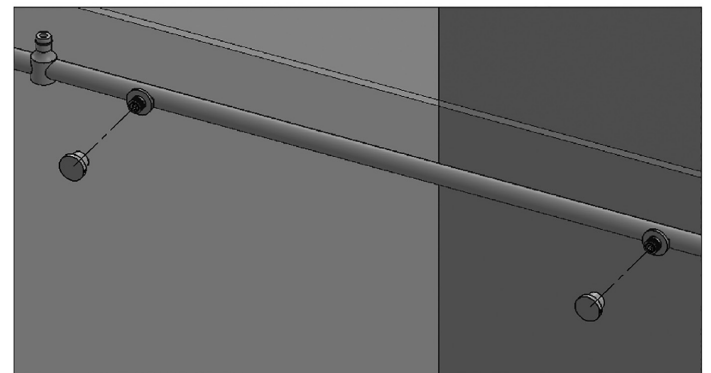


FIGURE 5

STEP 6

Ensure panel glass is level and plumb before marking holes for the two wall mount brackets (Part number CHG-CGTW Item E). See figure 6 for marking holes for wall mount bracket.

NOTE: part has adjustment if required.

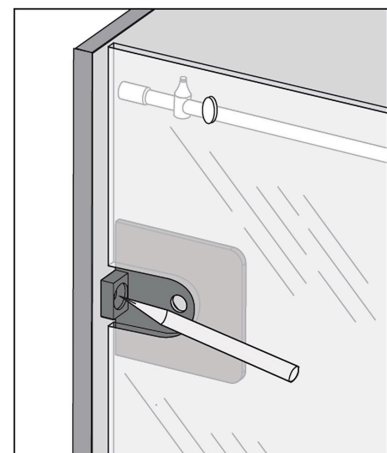


FIGURE 6

Wall mount bracket (Part number CHG-CGTW Item E) shown disassembled in figure 7. The wall mount bracket is adjustable. If your drill can be used without touching the glass, you do not need to remove the panel to install the wall mount brackets.

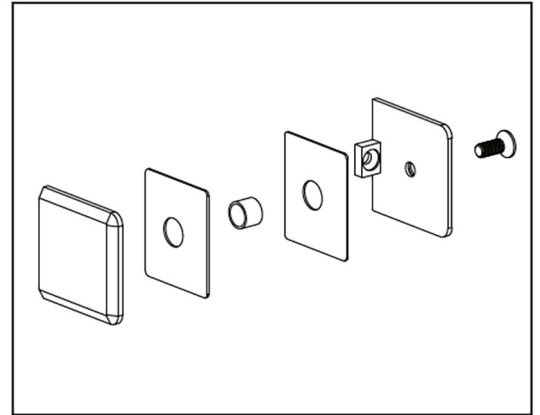


FIGURE 7

STEP 7

Drill a hole in the center of your mark. If you're drilling into wood, use a 3/16" drill bit. If using the anchors, use a 1/4" drill bit. Place silicone and anchor into hole and install puck. See figure 8.

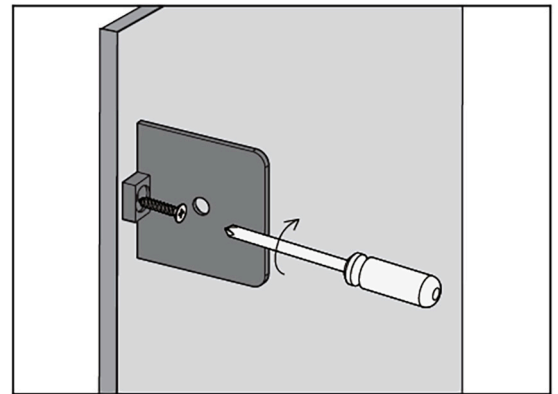


FIGURE 8

STEP 8

Reinstall glass panel on glass blocks and secure wall mount brackets (Part number CHG-CGTW Item E). See figures 9 and 10.

U-CHANNEL VARIANT INSTALLATION

If installing the panel in channel, dry fit the panel into the channel to determine where the channel will be affixed to the floor. After securing the channel, set the panel on the glass block in the channel and then secure the wall clamps (if you elected to use wall clamps – they are not necessary if you are using channel on the floor).

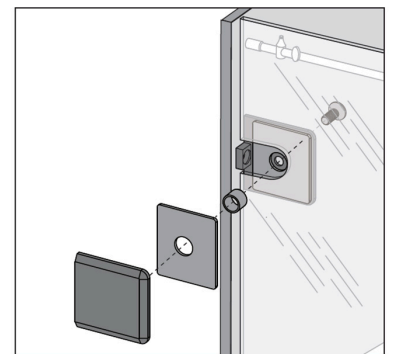


FIGURE 9

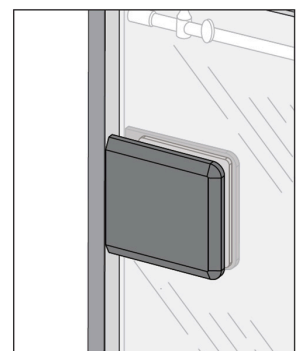


FIGURE 10

STEP 9

Attach glass panel to the panel glass brackets (Part number 502G1 Item D) and use provided spanner wrench to secure. See figure 11.

U-CHANNEL VARIANT INSTALLATION

If installing the panel in channel, after the glass brackets are tightened you can wet glaze the panel into the channel with a clear silicone.



FIGURE 11

STEP 10

Install two part number 501E1 Item F (qty. 4) rollers into top 2 holes of door panel. Using provided SOW wrench and spanner wrench to tighten roller to door glass. See Figure 12, 13 and 14.

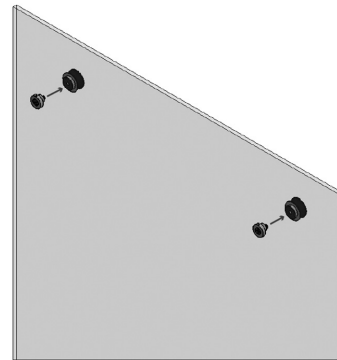


FIGURE 12

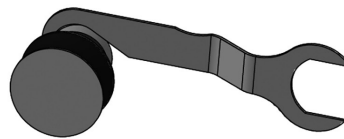


FIGURE 13



FIGURE 14

STEP 11

Carefully set door glass on bar for purposes of marking for center guide only. Hold glass plumb and mark both holes and install center guide (Part number 505S Item G). See figure 15. It is important to put silicone in screw holes and properly silicone guide itself to avoid leaking.

NOTE: Guide has two settings. Use tighter setting for 3/8" glass.

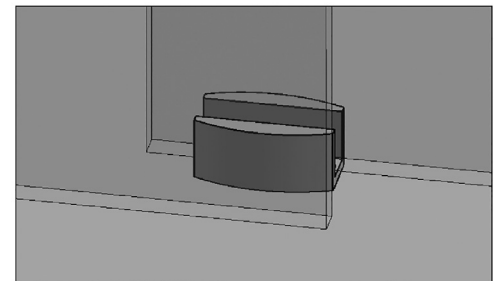


FIGURE 15

STEP 12

Hang door on rail and install bottom roller loosely as in previous step for top rollers. See figure 16.

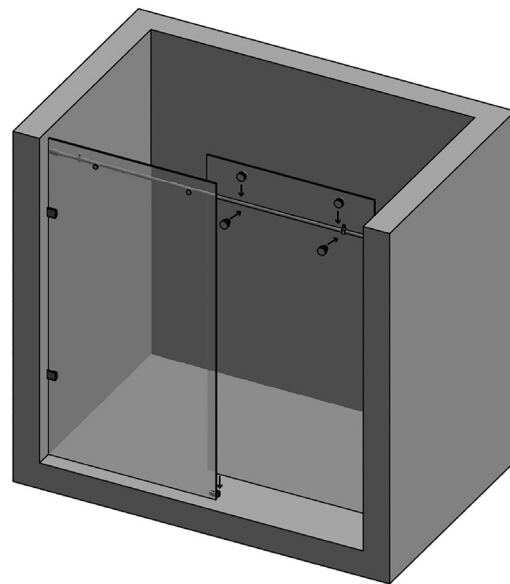


FIGURE 16

STEP 13

Notice there is a cam system installed in the rollers that will allow adjustment for small outages. Using level adjust top rollers with provided spanner wrench and then snug bottom roller to rail to ensure the door glass will not come off track. See figure 17.

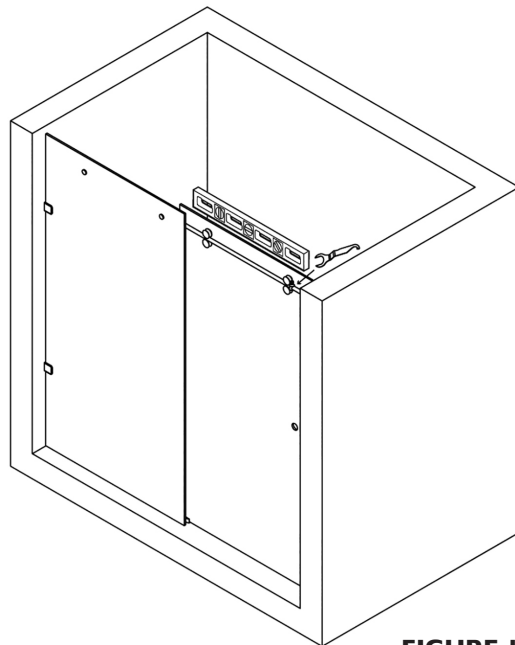


FIGURE 17

STEP 14

IMPORTANT: GLASS STOPS MUST BE ADJUSTED PROPERLY TO KEEP GLASS FROM STRIKING WALL AND/OR WALL CONNECTORS AND BREAKING.

Adjust glass stops (Part number 503F Item B) for required stopping distance for glass door. See figure 18.

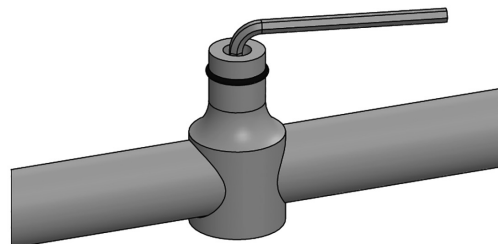
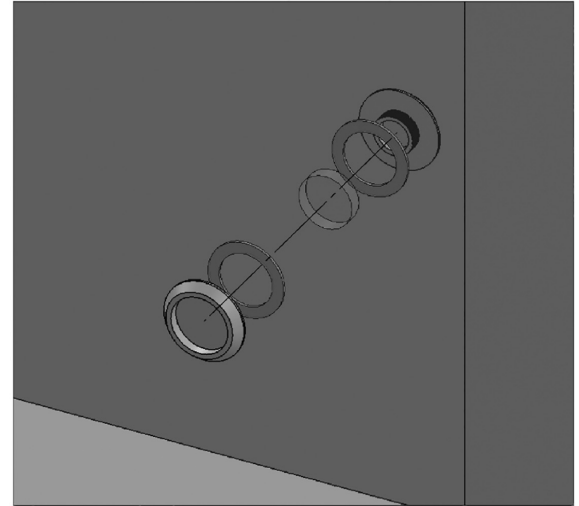


FIGURE 18

STEP 15

Install recessed finger pull (Part number 50H Item H) using gaskets provided. See figure 19.

**FIGURE 19****STEP 16 (Optional)**

Polycarbonate is provided as an option for the edge of the door to help seal against wall.

STEP 17 (Optional)

Silicone the inside and outside of the stationary panel, both wall and curb.